



**WATER HEATERS
and HEATING EQUIPMENT 2020**

CONTENTS

02–13

Thermex today

- 2 Thermex today
- 4 Thermex at a glance
- 6 Thermex quality and reliability
- 8 Thermex energy efficiency
- 9 Thermex ErP label
- 10 Smart home technologies
- 12 Using equipment with the wi-fi motion function

14–31

Electric storage water heaters (standard capacity) / Bio-glasslined inner tank

- 14 BIO technologies
- 16 Flat Smart – IF (smart)
- 18 Ceramik
- 20 Safedry PRO – ERD (pro)
- 21 Nova
- 22 Thermo
- 23 Giro
- 24 Champion – ER/ES(V)
- 25 Champion – ER/ES(H)
- 26 Champion Silverheat – ESS/ERS
- 28 Champion Titaniumheat
- 30 Champion ECO – ER/ES (eco)(V)
- 31 Champion ECO – ER/ES (eco)(H)

32–49

Electric storage water heaters (standard capacity) / Stainless steel inner tank

- 32 INOX technologies
- 34 Flat Diamond Touch PRO – ID (pro)
- 36 Flat Plus PRO – IF (pro)
- 38 IF ECO
- 40 Flat ECO
- 42 M-Smart – MS
- 43 Mechanik – MK
- 44 Praktik
- 45 Eterna
- 46 Solo
- 48 Fusion
- 49 Ultraslim – IU

50–57

Compact electric storage water heaters

- 52 Blitz
- 54 Blitz ECO
- 55 Nobel – N
- 56 Hit PRO – H (pro)
- 57 Hit ECO – H (eco)

58–65

Large volume or combined electric storage water heaters

- 60 Combi Inox PRO – IRP (combi) pro
- 62 Combi Inox – IRP (combi)
- 63 Champion Floor – ER
- 64 Combi – ER (combi)

66–79

Electric instantaneous water heaters

- 68 Topflow PRO
- 70 Topflow
- 72 Trend
- 73 Balance
- 74 Surf
- 75 City
- 76 Jam
- 78 Hotty

80–85

Electric convectors

- 82 Frame E
- 84 Frame M

86–89

Electric heating panels

- 88 Colorme

90–93

Electric wall hung boilers

- 92 Eurostar – E9

94–97

Gas instantaneous water heaters

- 96 Euroline

98–119

Gas wall hung boilers

- 100 Xantus (PRO)
- 104 Antares
- 108 Rigel ErP
- 112 Sirius ErP
- 116 Remote control
- 118 Euroelite – F

120–122

Service & Support

- 120 How to choose a storage water heater
- 121 How to choose a instantaneous water heater
- 122 Thermex service

THERMEX TODAY

International corporation of heating equipment
to the benefit of many generations

Most people around the world, choosing sophisticated home appliances, prefer to deal with professionals.

The real world-class professionals are units. One of the world's leading specialized manufacturers of water heaters is Thermex corporation. Since its foundation, for 70 years, the company has remained to be faithful to its specialization — the production of water heating equipment and has achieved in this field the highest skill.

Today we work in the markets of 60 different countries located in four continents. Our production facilities are located in Russia, China, Turkey and other countries. Corporation's business units are in many countries of the world and in each of them we not only realize certain types of products, but we organize the unified world technological chain:

- Scientific and technical research and new products development
- Work with suppliers of raw materials and components
- Full cycle of production, from processing raw materials to testing finished products
- Logistics complex: transportation, storage, delivery to customers or immediately to the customer
- Professional installation, warranty and after-sales service

All this is work of the corporation!



9001:2015



14001:2015



18001:2007



”

70 years
experience
in water heating
equipment



”

90%
the automation
degree
of technological
processes



”

60 000 M²
production
and warehouse
area





60

Countries region
involvement

11 500

Clients and partners
all over the world

90
branches

The widest distributional
network

1949



The beginning
of the Thermex
chronicles

1995



Reach
1 000 000 pcs./year
production of enamel
type electric
water heaters

2007



Launch
of automated
full-cycle
production facility

2010



Start of production
water heaters
with stainless
steel inner tank



2000

Total employees

THERMEX AT A GLANCE

Thermex philosophy

We work to provide you with a reliable, autonomous, environmentally friendly source of hot water for both domestic and industrial needs. We not only produce advanced technology, but also offer a full range of services that meet the requirements of a modern customer.

Our values

We fill your homes with warmth and comfort. We help you improve the quality of life and give one more degree of personal freedom and comfort. We develop new products, produce, help in the selection, deliver, install, provide warranty service and support.

Our mission

Creating a comfortable, long life through the production of advanced and affordable products in order to meet the people's requirements of wellness.

2016



Reach
2000000 pcs./year
of water heaters
production

2017



Open new regions
for Thermex's
expansion: Italy,
China, Turkey

2018



Significant expansion
of the water heaters
model range, the ex-
tension of heating
equipment segment

2019



70 years of Thermex
success in the world



Quality
is the key
competence



THERMEX QUALITY AND RELIABILITY

We pay a lot of attention to the quality of the goods we produce.

We are sure that manufacturer can only get success by supporting high quality level. Only best components and raw materials are used linked with skilled and scientific procedures to comply to our quality standards.

We strive to ensure that our technology has worked reliably for many years, and we achieve our goal!

- Quality control at every stage of the production process.
- R&D laboratory and Quality laboratory for testing innovation and actual operating conditions.
- Computerized quality control
- Long-term research programs



Modern production facilities

Many water heating industry consultants with expertise in water heaters admit that Heating Equipment production site operated by Thermex Corporation is so far one of the most technically advanced and high-tech industries in the world. A group of leading experts that includes the best engineers from Italy, Switzerland, Germany and Russia has been involved in this project realization.



Russian factory

The total production area of main Thermex factory is 60000 m². The turnout is more than 2 million water heaters per year. Today it is one of the largest factory in terms of water heaters production output in Europe. The automation degree of technological processes is more than 90%. The production rate is as follows: every 15 seconds a new water heater comes off the assembly line.

Chinese factory

Thermex Heating Technology — a China factory of the Thermex Corporation was put into operation in July 2017. The factory has established a global R&D center with unique scientific, experimental design and laboratory equipment.



Innovations

As a specialized manufacturer of water heaters, Thermex Corporation has created its own scientific laboratories and engineering offices. All activities on study, development and implementation of innovative technologies are carried out there.

The results of long-term research programs is associated with a number of unique technologies with a number of unique technologies developed and patented by Thermex Corporation for production reliable, user friendly and energy efficient water heater appliances.

Turkish factory

A new Thermex corporation factory in Turkey was put into operation in 2019 year with 3000 m² of total closed area and 1 500 m² of open area. The factory located in Izmir which close to the Eagean sea and to all transportation alternatives. The factory includes test lab with line-test and R&D test machines.



THERMEX ENERGY EFFICIENCY

ERP directive

The ErP (Energy-related Products) Directive is due to be implemented in 2015. It consists of new regulations to help the EU achieve its 20/20/20 target to reduce energy use by 20% and increase the share of renewable energies by 20% to 2020.

On September 2017, new EU regulations impacting heating and hot water appliances will come into force. They specify minimum energy efficiency and emissions standards for products and systems. After their introduction non-compliant appliances and systems will be progressively phased out.

Improving the efficiency

Today, as a professional water heaters manufacturer, Thermex must meet the challenge of the more strict requirements of ErP Directive.

As an innovative company we understand the importance of improving the energy efficiency in energy-related products for the customers and for global environment. We support the ErP initiatives of the EU and believe that it would help to structure the market of electric water heaters in Europe.

Priorities for Thermex

Thermex systemic task is associated with development of competitive products with high energy efficiency performance. Our aim is to produce such products that help to decrease costs of the household being spent for the comfort of having hot water.

The goal worked upon by the corporation engineers is to produce products reducing end-users expenses for home comfort coming with hot water. The desire to improve the quality of the customers life with simultaneous reduction of their utility costs is the main idea of Thermex products.

THERMEX ERP LABEL

The ErP (Energy-related Products) European policy consists of two directives: eco-design and energy labeling. It aims to improve the energy efficiency of water heating equipment and other appliances sold in the European Union in order to help to protect the environment.

Energy labelling

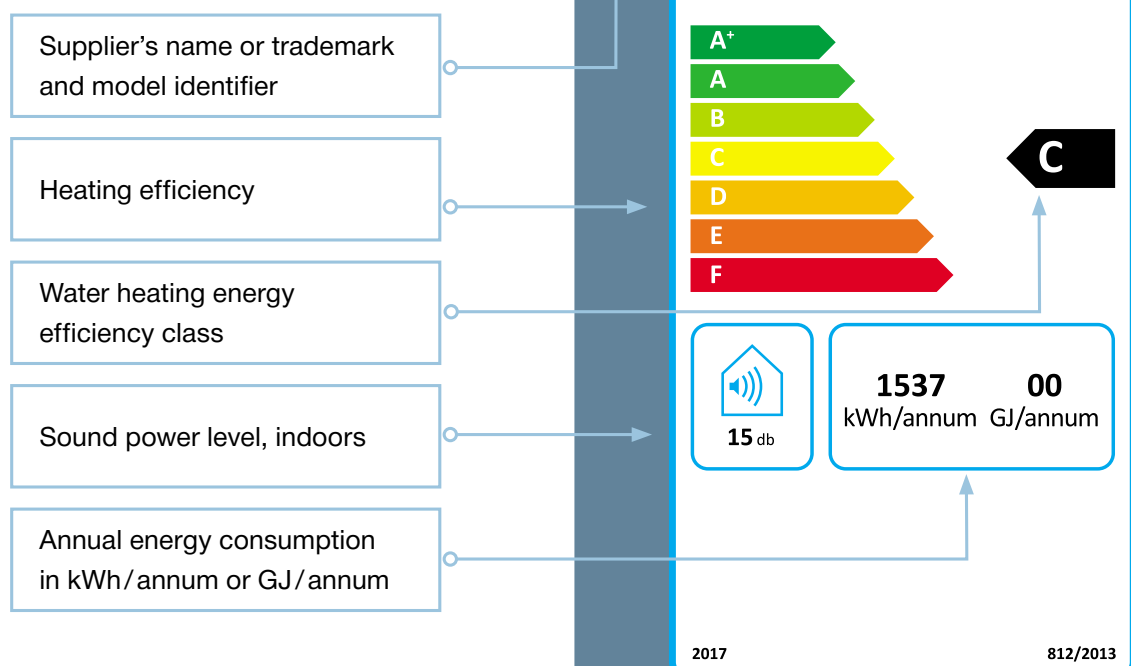
Encourages customers to purchase the most effective home products by highlighting their energy classes.

Ecodesign

Sets down minimum energy performance values to be achieved thanks to required investment in appliances.

Each next step of the ErP regulation from 2013 to 2020 is equivalent to more stringent requirements and promotion of the most efficient products — revision of minimal performance requirements and revision of label with new classes.

Thermex water heaters series launched since 2015 were already identified with an easily visible energy labels.



“
Improving
the energy efficiency

SMART HOME TECHNOLOGIES

Thermex is constantly developing new technologies and innovating in production. From the creation of intelligent technologies, Thermex provides data integration into equipment adapted to work with modern Smart Home concepts.

This direction allows to create equipment for a new level of comfort, ergonomics and caring for people.

Using a Wi-Fi connection is a prerequisite for the modern concept of a Smart Home. It combines equipment for widespread use. The concept allows you to receive an information space in order to create a convenient and comfortable home for owner.

Smart Home is a new step into the future, implemented together with high-quality, reliable and modern Thermex equipment.



Wi-Fi Motion Wireless Technology

Wi-Fi Motion is a technology that provides stable multi-user wireless communication with Thermex devices. Wi-Fi internet connection implies the convenience of remotely controlling appliances in the apartment, office, country cottage or anywhere in the world.

Water supply



Heating



ID (pro) Wi-Fi

IF (pro) Wi-Fi

Frame E Wi-Fi



Wi-Fi Motion—new ecosystem of your home

Thermex Home mobile app

Thermex Home mobile application allows you to remotely connect to equipment with Wi-Fi Motion technology. The application may be installed on any* mobile device and allows you to configure the operation of heating systems or hot water supply in a few touches.

** any mobile device supporting the application.*



”
Manage your
comfort anywhere
in the world

10 benefits of using Thermex Home:

1

Remote control from anywhere in the world

2

Connection stability and quality

3

Joint equipment management for all family members

4

Temperature and heating modes adjustment

5

Real-time monitoring of heating temperature

6

Function of heating equipment automatic operation depending on the weather

7

Manage devices to groups, for example, “apartment” or “country house”

8

Simultaneous control of heating groups in a couple of seconds

9

Programming work by day of the week

10

On/Off timer up to 24 hours

USING EQUIPMENT WITH THE WI-FI MOTION FUNCTION

1 pcs.



2 pcs.



In a city apartment

Storage water heater ID Pro Wi-Fi

Flexible configuration via Wi-Fi Motion saves up to 20% of electricity costs.

Convector Frame E Wi-Fi

Control the weather in your house from anywhere in the world. Frame E Wi-Fi is an inconspicuous and practical heat source that provides heating for each of your rooms.



1 pcs.**4 pcs.**

At the country house

Storage water heater Flat Plus Pro Wi-Fi

Start water heating from your mobile device only when it's necessary. For example, a couple of hours before a trip to a country house.

Convector Frame E Wi-Fi

Combine several heating appliances into a group and control them as a single device, or adjust the automatic heating depending on the outdoor temperature.



BIO TECHNOLOGIES

The international fame of Thermex is achieved by its legendary water heater series with Bio-glasslined coating of inner tank which is recognized as the most durable and resistant to corrosion and the effects of thermal and hydraulic shocks.

Thermex is the absolute authority in the production of reliable and affordable water heaters and proudly proves that even low-cost models can work for many years, if it is Thermex water heaters.

BIO



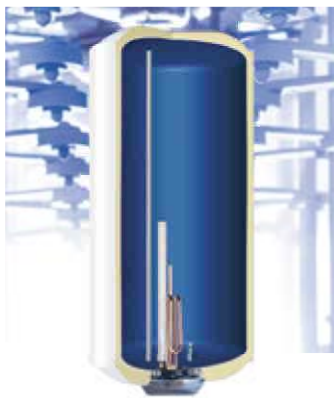
Bio-glasslined

Is a unique patented coating of inner tank with the highest anti-corrosion protection with environment attention. It has much greater durability and elasticity than normal enamel coating, and successfully withstands to thermal and hydro shocks. Bio-glasslined much longer protects the tank from corrosion which is a major cause for water heater's failure.



Cold Rolled Steel

Only the highest quality cold rolled steel is used for inner tanks of Thermex BIO series. This steel is much more durable and plastic than the hot rolled steel which most of the world famous brands of water heaters are made of. In this case steel has a more smooth surface which significantly strengthens the grip of protective coating and prevents the appearance of micro cracks.



Oxygen Free System

The exclusive technology of Bio-glasslined coating in the inert gas conditions.

The durability of the inner tanks coating is the key to long life of water heater. Tiny air bubbles or micropores in the coating can lead to pitting and water heater's failure. Oxygen Free System eliminates air entrapment and ensures the safety of the inner tank for the entire lifetime period.



Ultra Sonic Test

An effective quality control system of protective coating by ultrasonic scanning.

The highest level of quality is not possible without advanced control systems. Therefore, Thermex has developed its own system for ultrasonic testing of the inner tank for detecting even the smallest, invisible to the eye, defects in coating with a 100% guarantee.

ELECTRIC STORAGE WATER HEATER SERIES

FLAT SMART — IF (SMART)

Smart series with flat shape can be mounted in vertical or horizontal position for perfectly integration in any place.



Bio-glasslined inner tank BIO



Steel outer casing



Heat loss proof



Flat shape models



Vertical or horizontal mount



ErP class B



Self-diagnosis and error indication



Smart function



5 years inner tank warranty



”
Smart
technology
for your
comfort



Space saving.

Flat shape with double tank technology allows space saving.

Versatility.

Multi-position installation — can be installed in vertical or horizontal positions.

High efficiency.

Excellent energy efficiency with ErP class B.

SMART.

Smart function achieve comfort and save energy.

Touch control panel.

User-friendly interface with indication for heating, switching on, operating modes and smart function.

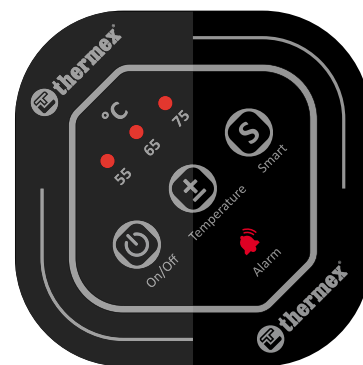
Intelligent control.

Self-diagnosis and error indication.

Design.

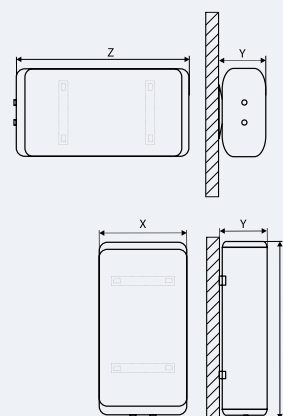
Modern stylish body in a classic white color.

BIO technologies



Stylish control panel

Models		IF 30 (smart)	IF 50 (smart)	IF 80 (smart)	IF 100 (smart)
Capacity	l	25	42	67	84
Rated power	kW	2.0			
Rated pressure, max	bar	8			
Rated voltage / Frequency	V/Hz	230 / 50			
Heating time, $\Delta t^{\circ}=45^{\circ}\text{C}$	h : min	0 : 39	1 : 06	1 : 45	2 : 12
Net weight	kg \pm 8%	13.5	19.0	24.0	28.5
Mount		vertical / horizontal			
IP rating		IPX4			
ERP	load profile	S		M	
ERP	class	B			
Width (X)	mm	453		511	
Depth (Y)	mm	263		293	
Height (Z)	mm	587	880	1018	1240



ELECTRIC STORAGE WATER HEATER SERIES

CERAMIK

Series with ergonomics mechanical control
as universal solution for an apartment or a house.



Bio-glasslined
inner tank BIO



Steel outer
casing



Heat loss
proof



Flat shape
models



Mechanical
control



5 years inner
tank warranty



Ahead of your
desires





Space saving.

Flat shape with double tank technology allows space saving.

Design.

Modern stylish body in a classic white color with mechanical control.

Functional design.

The flat body of snow-white color differs in compact sizes and easily fits even in small rooms.

High reliability.

Stainless steel inner tank G.5 with corrosion protection ensures stable and long-life operation.

Ergonomic control panel.

One movement of the mechanical regulator set required heating temperature.



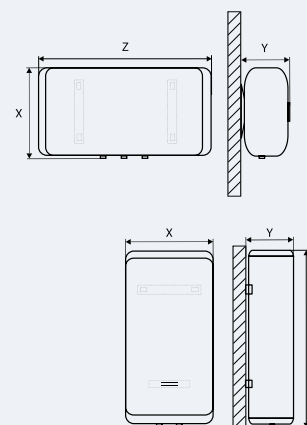
Ergonomic mechanical control



A reliable mounting bracket

BIO technologies

Models		Ceramik 30V	Ceramik 50V	Ceramik 80V	Ceramik 100V	Ceramik 50H	Ceramik 80H
Capacity	l	30	50	80	100	50	80
Rated power	kW	0.7 / 1.3 / 2.0					
Rated pressure, max	bar	7					
Rated voltage / Frequency	V/Hz	230 / 50					
Heating time, Δt°=45°C	h : min	0:40	1:05	1:50	2:20	1:05	1:50
Net weight	kg ± 8%	13.5	19.0	24.0	28.5	19.0	24.0
Mount		vertical				horizontal	
IP rating		IPX4					
Width (X)	mm	452		510		858	996
Depth (Y)	mm	263		293		263	293
Height (Z)	mm	587	880	1018	1240	474	



ELECTRIC STORAGE WATER HEATER SERIES

SAFEDRY PRO — ERD (PRO)

Series equipped with ceramic heating element provides full comfort and durable long-term operation with all types of water.



Bio-glasslined inner tank BIO



Dry heating element



Mechanical control



Steel outer casing



Heat loss proof



5 years inner tank warranty



Stable work
in the most
difficult conditions

Health care.

Bio-glasslined coating reliably protects the inner tank from corrosion and keeps the water clean and fresh.

Durability.

The unique dry heating element CeramicHeat prevents the appearance of scale and protects against corrosion.

Easy to use.

The mechanical controller helps to make the settings literally in one motion.

Functionality.

The light indication informs about switching-on of the water heater.

Economical.

High-density thermal insulation made of polyurethane foam allows you to keep hot water longer without additional waste of electricity.



Thermometer

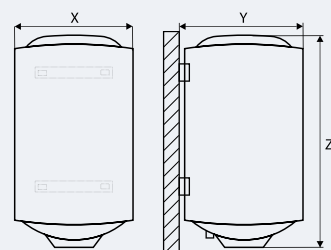


Hidden water outlets and mechanic control



CeramicHeat heating element

Models		Slim models		Standard models	
		ESD 50 V (pro)	ERD 50 V (pro)	ERD 80 V (pro)	ERD 100 V (pro)
Capacity	l	50	50	80	100
Rated power	kW	1.5			
Rated pressure, max	bar	7			
Rated voltage / Frequency	V/Hz	230 / 50			
Heating time, $\Delta t^{\circ}=45^{\circ}\text{C}$	h : min	1:40	1:40	2:40	3:50
Net weight	kg \pm 8%	17.8	22.5	27.0	31.5
Mount		vertical			
IP rating		IPX4			
ERP	load profile	M	M		L
Width (X)	mm	365	445		
Depth (Y)	mm	378	459		
Height (Z)	mm	722	527	751	903



ELECTRIC STORAGE WATER HEATER SERIES

NOVA

Series with DRY stick heating element have been created for long-life and reliable work in areas supplied with highly mineralized or aggressive water.

“
Classic with
innovative
heating

BIO
technologies



- BIO**
Bio-glasslined inner tank BIO
- Dry heating element**
- Mechanical control**
- Steel outer casing**
- SUPER FOAM**
Heat loss proof
- 5 Years**
5 years inner tank warranty

Safety.
Bio-glasslined coating protects the inner tank from corrosion and provides its resistance to temperature changes.

High reliability.
The unique dry heating element ECODRYHEAT prevents the appearance of scale and protects against corrosion.

Durability.
Two dry tube heating elements does not go into a direct contact with water.

Easy maintenance.
No need to drain the water if the dry heater need a replacement.

Easy to use.
The mechanical controller helps to make the settings literally in one motion.



A universal mounting bracket



Thermometer

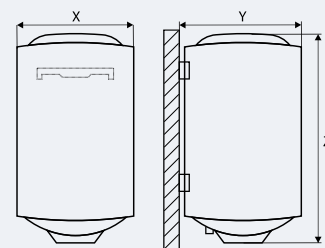


Mechanic control



ECODRYHEAT heating element

Models		Slim models			Standard models			
		Nova 30V slim	Nova 50V slim	Nova 80V slim	Nova 50V	Nova 80V	Nova 100V	Nova 150V
Capacity	l	28.5	47.5	76.0	47.5	76.0	95.0	142.5
Rated power	kW	2.0						
Rated pressure, max	bar	8						
Rated voltage / Frequency	V/Hz	230 / 50						
Heating time, Δt°=45°C	h : min	1 : 08	1 : 26	2 : 03	1 : 17	2 : 03	2 : 34	4 : 40
Net weight	kg ± 8%	13.9	17.2	24.3	16.5	21.6	24.8	35.8
Mount		vertical						
IP rating		IPX4						
ERP	load profile	S	M		M		L	XL
Width (X)	mm	365			445			
Depth (Y)	mm	378			459			
Height (Z)	mm	501	722	1072	547	771	923	1283



ELECTRIC STORAGE WATER HEATER SERIES

THERMO

Series of the storage water heaters with performance of powerful heating element with increased flexibility to save energy.



Power
on the edge
of fiction



Bio-glasslined inner tank BIO



Heating element TitaniumHeat



Steel outer casing



Fast heating mode



Child protection



Mechanical control



Heat loss proof



5 years inner tank warranty

Health care.

TitaniumHeat stainless steel heating element enhances corrosion protection, and special Bio-glasslined coating keeps the water clean and fresh.

Different settings.

Three modes of heating, including quick and eco.

Functional control panel.

The light indication informs about the operating mode of the water heater, and the mechanical controller helps to switch the operating modes in one motion.

Reliability.

The doubled surface area of the heating element accelerates the heating, and the two circuits of the heating element insure each other.



A universal mounting bracket

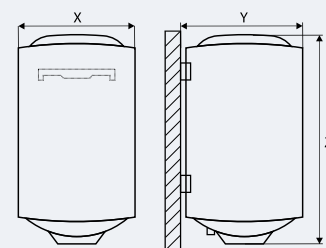


Thermometer



PRESS & TURN controller

Models		Slim models		Standard models		
		Thermo 30 V Slim	Thermo 50 V Slim	Thermo 80 V	Thermo 100 V	Thermo 150 V
Capacity	l	30	50	80	100	150
Rated power	kW	1.0 / 1.5 / 2.5				
Rated pressure, max	bar	7				
Rated voltage / Frequency	V/Hz	230 / 50				
Heating time, $\Delta t^{\circ}=45^{\circ}\text{C}$	h : min	0 : 36	1 : 00	1 : 36	2 : 00	3 : 00
Net weight	kg \pm 8%	13.4	16.8	21.2	24.4	35.4
Mount		vertical				
IP rating		IPX4				
ERP	load profile	S	M	M	L	XL
Width (X)	mm	365		445		
Depth (Y)	mm	378			459	
Height (Z)	mm	492	722	751	903	1283

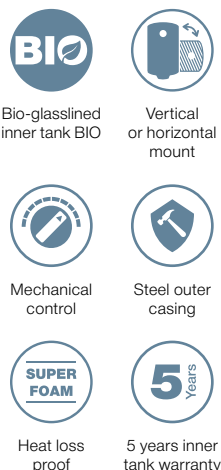


ELECTRIC STORAGE WATER HEATER SERIES

GIRO

Universal series can be mounted in vertical or horizontal position for perfectly integration in any place.

”
For perfectly
integration
in any place



Health care.

Bio-glasslined coating reliably protects the inner tank from corrosion and keeps the water clean and fresh.

Versatility.

Multi-position installation — can be installed in vertical or horizontal positions.

Easy installation.

Universal mounting plate for quick vertical or horizontal installation included.

Economical.

High-density thermal insulation made of polyurethane foam allows you to keep hot water longer without additional waste of electricity.



A reliable mounting bracket

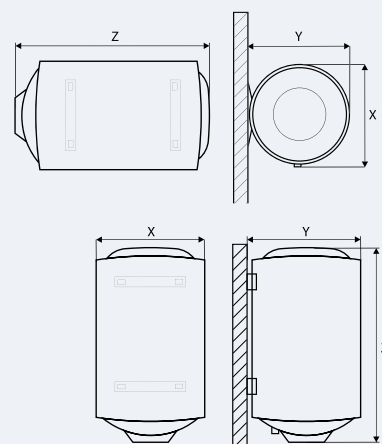


Thermometer



Mechanic control

Models		GIRO 50	GIRO 80	GIRO 100	GIRO 150
Capacity	l	47.5	76.0	95.0	142.5
Rated power	kW	1.5			
Rated pressure, max	bar	8			
Rated voltage / Frequency	V/Hz	230 / 50			
Heating time, $\Delta t^{\circ}=45^{\circ}\text{C}$	h : min	1 : 45	2 : 50	3 : 30	4 : 40
Net weight	kg \pm 8%	16.5	21.2	24.4	35.4
Mount		vertical / horizontal			
IP rating		IPX4			
ERP	load profile	M		L	XL
Width (X)	mm	445			
Depth (Y)	mm	459			
Height (Z)	mm	547	771	923	1283



ELECTRIC STORAGE WATER HEATER SERIES

CHAMPION — ER/ES (V)

Legendary classics of water heaters in traditional round shape with bio-glasslined inner tank coating with strong corrosion resistance.



Bio-glasslined inner tank BIO



Steel outer casing



Mechanical control



Heat loss proof



Power cord included



5 years inner tank warranty



Classic round
shape fits
compactly
into the room

Safety.

Bio-glasslined coating protects the inner tank from corrosion and provides its resistance to temperature changes.

Easy to use.

The mechanical controller helps to make the settings literally in one motion.

Economical.

High-density thermal insulation made of polyurethane foam allows you to keep hot water longer without additional waste of electricity.

Design.

Modern stylish body in a classic white color.

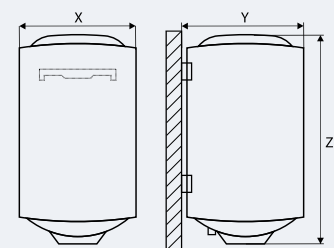


Thermometer



A universal mounting bracket

Models		Slim models				Standard models			
		ES 30V	ES 50V	ES 60V	ES 80V	ER 50V	ER 80V	ER 100V	ER 150V
Capacity	l	28.5	47.5	57.0	76.0	47.5	76.0	95.0	142.5
Rated power	kW	1.5							
Rated pressure, max	bar	8							
Rated voltage / Frequency	V/Hz	230 / 50							
Heating time, $\Delta t = 45^\circ\text{C}$	h : min	1 : 05	1 : 45	2 : 10	2 : 50	1 : 45	2 : 50	3 : 30	4 : 40
Net weight	kg \pm 8%	13.5	16.9	18.8	23.9	16.7	21.5	24.7	35.8
Mount		vertical							
IP rating		IPX4							
ERP	load profile	S	M			M		L	XL
ERP	class	C							
Width (X)	mm	365				445			
Depth (Y)	mm	378				459			
Height (Z)	mm	501	722	854	1072	547	771	923	1283



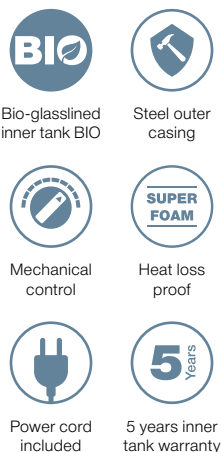
ELECTRIC STORAGE WATER HEATER SERIES

CHAMPION — ER/ES (H)

Classic round shape models for horizontal mounting.

“
Professional
in water
heating

BIO
technologies

**Safety.**

Bio-glasslined coating protects the inner tank from corrosion and provides its resistance to temperature changes.

Easy to use.

The mechanical controller helps to make the settings literally in one motion.

Economical.

High-density thermal insulation made of polyurethane foam allows you to keep hot water longer without additional waste of electricity.

Design.

Modern stylish body in a classic white color.

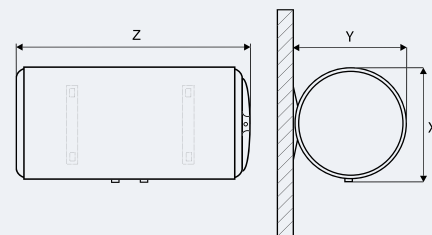


Thermometer



A reliable mounting bracket

Models		Slim models				Standard models		
		ES 30H	ES 50H	ES 60H	ES 80H	ER 50H	ER 80H	ER 100H
Capacity	l	28.5	47.5	57.0	76.0	47.5	76.0	95.0
Rated power	kW	1.5						
Rated pressure, max	bar	8						
Rated voltage / Frequency	V/Hz	230 / 50						
Heating time, $\Delta t^{\circ}=45^{\circ}\text{C}$	h : min	1 : 05	1 : 45	2 : 10	2 : 50	1 : 45	2 : 50	3 : 30
Net weight	kg \pm 8%	13.5	16.9	18.8	23.9	19.4	21.5	24.7
Mount		horizontal						
IP rating		IPX4						
ERP	load profile	S	M			M		L
ERP	class	C						
Width (Z)	mm	501	737	854	1072	527	751	903
Depth (Y)	mm	378				459		
Width (X)	mm	365				445		



ELECTRIC STORAGE WATER HEATER SERIES

CHAMPION SILVERHEAT — ESS/ERS

Millions of people already chosen this series as a reliable water heater for their home. Classic round shape fits compactly into the room, and the legendary heating element SilverHeat creates an antibacterial effect inside the heater.



Champion
of water
heating



Safety.

Bio-glasslined coating protects the inner tank from corrosion and provides its resistance to temperature changes.

Health care.

The unique coating SilverHeat of heating element prevents the appearance of scale and creates an anti-bacterial effect inside the water heater.

Economical.

High-density thermal insulation made of polyurethane foam allows you to keep hot water longer without additional waste of electricity.

Ease of use.

The simple mechanical control PRESS & TURN helps to easily use the water heater and changing the heating temperature in one motion.

Functionality.

The light indication informs about switching-on of the water heater.



Thermometer



A universal mounting bracket

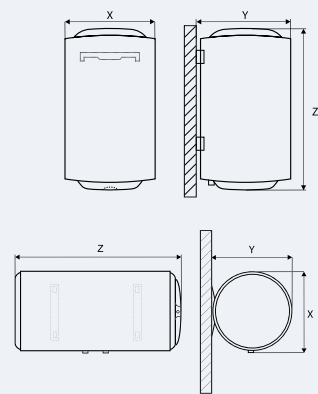


Heating element SilverHeat



PRESS & TURN controller. Hidden water outlets.

Models		Slim models					Standard models				
		ESS 30V Silverheat	ESS 50V Silverheat	ESS 60V Silverheat	ESS 70V Silverheat	ESS 50H Silverheat	ERS 50V Silverheat	ERS 80V Silverheat	ERS 100V Silverheat	ERS 150V Silverheat	ERS 80H Silverheat
Capacity	l	30	50	60	70	50	50	80	100	150	80
Rated power	kW	1.5									
Rated pressure, max	bar	8									
Rated voltage / Frequency	V/Hz	230 / 50									
Heating time, Δt°=45°C	h : min	1 : 05	1 : 45	2 : 10	2 : 20	1 : 45	1 : 45	2 : 50	3 : 30	4 : 40	2 : 50
Net weight	kg ± 8%	13.4	16.8	18.5	21.0	16.8	16.4	21.2	24.4	35.4	21.2
Mount		vertical				horizontal		vertical			horizontal
IP rating		IPX4									
ERP	load profile	S	M				M		L	XL	M
Width (X)	mm	365				527		445			751
Depth (Y)	mm	378				459		459			459
Height (Z)	mm	501	722	839	956	445	547	771	923	1283	445



ELECTRIC STORAGE WATER HEATER SERIES

CHAMPION TITANIUMHEAT

Millions of people already chosen this series as a reliable water heater for their home. Classic round shape fits compactly into the room, and the legendary heating element SilverHeat creates an antibacterial effect inside the heater.



Bio-glasslined
inner tank BIO



Heating
element
TitaniumHeat



Mechanical
control



Steel outer
casing



Heat loss
proof



5 years inner
tank warranty





Durability.

A reliable heating element created using TitaniumHeat technology with high titanium content.

Green technology.

Bio-glasslined inner tank coating protects against corrosion and keeps water in water heater clean and fresh.

Economical.

High-density thermal insulation made of polyurethane foam allows you to keep hot water longer without additional waste of electricity.

Ease of use.

The simple mechanical control PRESS & TURN helps to easily use the water heater and changing the heating temperature in one motion.

BIO technologies

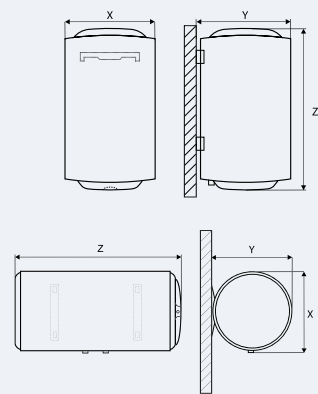


Heating element
TitaniumHeat



Hidden water outlets.

Models		Slim models					Standard models				
		Titaniumheat 30V Slim	Titaniumheat 50V Slim	Titaniumheat 60V Slim	Titaniumheat 70V Slim	Titaniumheat 50H Slim	Titaniumheat 50V	Titaniumheat 80V	Titaniumheat 100V	Titaniumheat 150V	Titaniumheat 80H
Capacity	l	30	50	60	70	50	50	80	100	150	80
Rated power	kW	1.5									
Rated pressure, max	bar	8									
Rated voltage / Frequency	V/Hz	230 / 50									
Heating time, Δt°=45°C	h : min	1 : 05	1 : 45	2 : 10	2 : 20	1 : 45	1 : 45	2 : 50	3 : 30	4 : 40	2 : 50
Net weight	kg ± 8%	13.4	16.8	18.5	21.0	16.8	16.4	21.2	24.4	35.4	21.2
Mount		vertical				horizontal		vertical			horizontal
IP rating		IPX4									
ERP	load profile	S	M			M		L	XL	M	
Width (X)	mm	365			722		445			751	
Depth (Y)	mm	378			378		459			459	
Height (Z)	mm	501	722	839	956	365	547	771	923	1283	445



ELECTRIC STORAGE WATER HEATER SERIES

CHAMPION ECO — ER/ES (ECO) (V)

Storage water heaters from the classic series are intended for hot water supply of single or multiply outlets in any types of households.



Bio-glasslined inner tank BIO



Steel outer casing



Mechanical control



Heat loss proof



Power cord not included



3 years inner tank warranty



Time-tested
practical
solution

Health care.

Bio-glasslined coating reliably protects the inner tank from corrosion and keeps the water clean and fresh.

Easy to use.

The mechanical controller helps to make the settings literally in one motion.

Economical.

High-density thermal insulation made of polyurethane foam allows you to keep hot water longer without additional waste of electricity.

Design.

Modern stylish body in a classic white color.

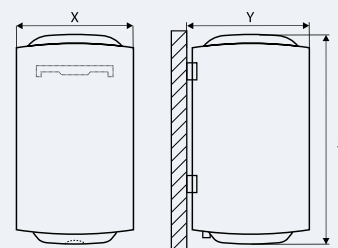


Thermometer



A universal mounting bracket

Models		Slim models				Standard models			
		ES 30V (eco)	ES 50V (eco)	ES 60V (eco)	ES 80V (eco)	ER 50V (eco)	ER 80V (eco)	ER 100V (eco)	ER 150V (eco)
Capacity	l	28.5	47.5	57.0	76.0	47.5	76.0	95.0	142.5
Rated power	kW	1.5							
Rated pressure, max	bar	8							
Rated voltage / Frequency	V/Hz	230 / 50							
Heating time, $\Delta t^{\circ}=45^{\circ}\text{C}$	h : min	1 : 05	1 : 45	2 : 10	2 : 50	1 : 45	2 : 50	3 : 30	4 : 40
Net weight	kg \pm 8%	13.5	16.9	18.8	23.9	16.7	21.5	24.7	35.8
Mount		vertical							
IP rating		IPX4							
ERP	load profile	S	M			M		L	XL
ERP	class	C							
Width (X)	mm	365				445			
Depth (Y)	mm	378				459			
Height (Z)	mm	501	722	854	1072	547	771	923	1283



ELECTRIC STORAGE WATER HEATER SERIES

CHAMPION ECO — ER/ES (ECO) (H)

Horizontal models in the classic round water heaters series.

“
Natural
heating energy

BIO
technologies



Health care.

Bio-glasslined coating reliably protects the inner tank from corrosion and keeps the water clean and fresh.

Easy to use.

The mechanical controller helps to make the settings literally in one motion.

Economical.

High-density thermal insulation made of polyurethane foam allows you to keep hot water longer without additional waste of electricity.

Design.

Modern stylish body in a classic white color.

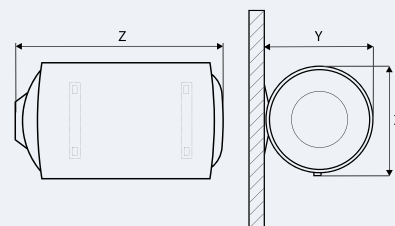


Thermometer



A reliable mounting bracket

Models		Slim models				Standard models		
		ES 30H (eco)	ES 50H (eco)	ES 60H (eco)	ES 80H (eco)	ER 50H (eco)	ER 80H (eco)	ER 100H (eco)
Capacity	l	28.5	47.5	57.0	76.0	47.5	76.0	95.0
Rated power	kW	1.5						
Rated pressure, max	bar	8						
Rated voltage / Frequency	V/Hz	230 / 50						
Heating time, $\Delta t^{\circ}=45^{\circ}\text{C}$	h : min	1 : 05	1 : 45	2 : 10	2 : 50	1 : 45	2 : 50	3 : 30
Net weight	kg \pm 8%	13.5	16.9	18.8	23.9	19.4	21.5	24.7
Mount		horizontal						
IP rating		IPX4						
ERP	load profile	S	M			M	L	
ERP	class	C						
Width (Z)	mm	501	737	854	1072	527	751	903
Depth (Y)	mm	378				459		
Width (X)	mm	365				445		



INOX TECHNOLOGIES

STAINLESS STEEL

With 70 years of experience in the production of heating equipment, Thermex does not use the existing solutions, but implements the unique technologies in production that provides high reliability and durability of the stainless steel inner tanks of water heaters.

The logo consists of the text "G.5" in a bold, white, sans-serif font, centered within a white circle. The circle is set against a dark blue background that is part of the overall page design.

G.5



G.5 Complex

G.5 Stainless Steel Highest Standard is a complex of unique technologies of the latest generations, created to provide integrity structure of Thermex stainless steel inner tanks and corrosion protection.



ASTN+

Special non-corrosive stainless steel of inner tanks Thermex. Unlike ferritic steel, the high-alloyed (austenitic) steel ASTN+ doesn't rust even at high pressure and frequent temperature changes which are the normal conditions of the water heater's work.



C.M.T.

Cold Metal Transfer is a modern technology of cold welding, creating the most reliable seam welds.

The temperature of cold welding 2.5 times lower than the common welding, that's why alloying additives are not burned. The lattice of the welded metal retains sustainable structure that allows to make the weld joints which are not corrosion.



TIG-tronic

The complex of automatic robotic welding excludes the possibility of inhomogeneous welds and metal overheating. Thanks to the fine calibration of high-precision robots, the perfect duplication for its absolute strength.



GS-Duo

Double feeding of the protective gas in the welding area almost completely displaces the oxygen, creating an area close to technical vacuum. The welding process becomes absolute stable, and the weld is twice corrosion resistant.



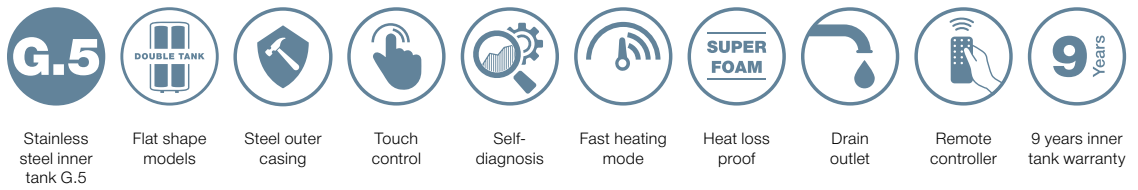
Total Quality Control

Double Tank is a special design of a flat water heater with two inner tanks. Thermex has developed such a design to make flat water heaters as reliable and resistant to water hammering and temperature changes, as well as round models. In this case Double Tank water heaters are compact in size and easily fit into small rooms.

ELECTRIC STORAGE WATER HEATER SERIES

FLAT DIAMOND TOUCH PRO — ID (PRO)

Flat Diamond Touch Pro — premium series of water heaters. Recognized quality, stylish dark design and the ability to wirelessly control from mobile devices — all this allows the novelty to claim the title of the most progressive and attractive water heater in Thermex model range.



”

Diamond
in Thermex
collection



New design.

A strict and concise dark case perfectly add the sophisticated interiors and fits into any color scheme.

Space saving.

Water heater is designed using Double Tank technology. Due to this technology, the water heater becomes flat with small dimensions so it's easy to place even in a small apartment.

Touch control panel.

A bright touch-sensitive control panel visually displays the water temperature, current operating mode and timer time.

High reliability.

Stainless steel inner tank G.5 with corrosion protection ensures stable and long-life operation.

Time saving.

Accelerated heating mode and the ability to set a timer allow you to heat water to a convenient time.

Intelligent control.

Self-diagnosis and error messages.

G.5 technologies

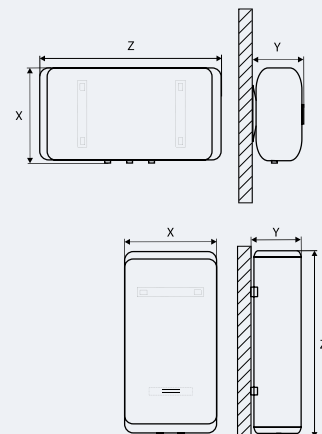


Compact remote controller



Stylish control panel

Models		ID 30V (pro) ID 30V (pro) Wi-Fi	ID 50V (pro) ID 50V (pro) Wi-Fi	ID 80V (pro) ID 80V (pro) Wi-Fi	ID 100V (pro) ID 100V (pro) Wi-Fi	ID 50H (pro) ID 50H (pro) Wi-Fi	ID 80H (pro) ID 80H (pro) Wi-Fi	ID 100H (pro) ID 100H (pro) Wi-Fi
Capacity	l	30	50	80	100	50	80	100
Rated power	kW	0.7 / 1.3 / 2.0						
Rated pressure, max	bar	7						
Rated voltage / Frequency	V/Hz	230 / 50						
Heating time, Δt°=45°C	h : min	0 : 50	1 : 20	2 : 10	2 : 40	1 : 20	2 : 10	2 : 40
Net weight	kg ± 8%	13.5	16.3	20.8	25.7	16.3	20.8	25.7
Mount		vertical				horizontal		
IP rating		IPX4						
Wi-Fi control		yes only for models with Wi-Fi in model name						
Width (Z)	mm	435		497		889		1029
Depth (Y)	mm	262		297		262		297
Height (X)	mm	636	911	1051	1273	457	519	



ELECTRIC STORAGE WATER HEATER SERIES

FLAT PLUS PRO — IF (PRO)

Stainless steel series with flat shape is perfect to integrates in modern home design and takes up less space to install in every place, even small rooms and bathrooms.



Stainless steel inner tank G.5



Flat shape models



Steel outer casing



Touch control



Self-diagnosis



No Frost mode



Heat loss proof



Drain outlet



5 years inner tank warranty





Space saving.

Water heater is designed using Double Tank technology. Due to this technology, the water heater becomes flat with small dimensions so it's easy to place even in a small apartment.

Effective work.

4 programmed heating modes will solve any task posed: quick, standard, eco, freeze protection mode NO FROST.

High reliability.

Stainless steel inner tank G.5 with corrosion protection ensures stable and long-life operation.

Touch control panel.

User-friendly interface with indication for heating, switching on and operating modes.

Intelligent control.

Self-diagnosis and error messages.

Design.

Modern stylish body in a classic white color.

G.5 technologies



Super flat body from 26.3cm

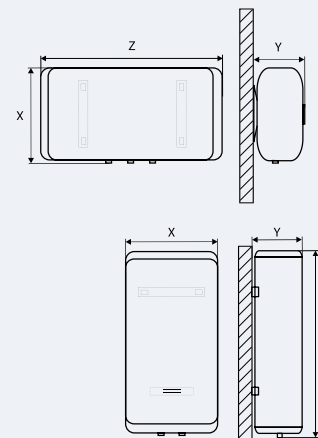


Lower water outlet connections



Stylish control panel

Models		IF 30V (pro) IF 30V (pro) Wi-Fi	IF 50V (pro) IF 50V (pro) Wi-Fi	IF 80V (pro) IF 80V (pro) Wi-Fi	IF 100V (pro) IF 100V (pro) Wi-Fi	IF 50H (pro) IF 50H (pro) Wi-Fi	IF 80H (pro) IF 80H (pro) Wi-Fi
Capacity	l	30	50	80	100	50	80
Rated power	kW	0.7 / 1.3 / 2.0					
Rated pressure, max	bar	7					
Rated voltage / Frequency	V/Hz	230 / 50					
Heating time, Δt°=45°C	h : min	0 : 47	1 : 18	2 : 06	2 : 37	1 : 18	2 : 06
Net weight	kg ± 8%	9.7	12.6	16.5	18.8	12.6	16.2
Mount		vertical				horizontal	
IP rating		IPX4					
ERP	load profile	S	M				
Wi-Fi control		yes only for models with Wi-Fi in model name					
Width (Z)	mm	452		510		858	996
Depth (Y)	mm	263		293		263	293
Height (X)	mm	587	880	1018	1240	474	532



ELECTRIC STORAGE WATER HEATER SERIES

IF ECO

Flat water heater series with an electronic display and simple mechanical control is an universal solution for an apartment or a house.



Stainless steel inner tank G.5



Flat shape models



Steel outer casing



Fast heating mode



Mechanical control



Heat loss proof



5 years inner tank warranty



**Space saving.**

Water heater is designed using Double Tank technology. Due to this technology, the water heater becomes flat with small dimensions so it's easy to place even in a small apartment.

High reliability.

Stainless steel inner tank G.5 with corrosion protection ensures stable and long-life operation.

Different settings.

Three modes of heating, including quick and eco.

Simple control.

A convenient mechanical temperature adjustment knob helps to change the heating mode in one motion.

Design.

Modern stylish body in a classic white color.

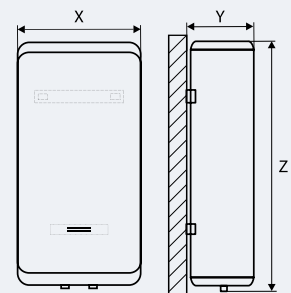


Super flat body from 26.3 cm



Stylish control panel

Models		IF 30V (eco)	IF 50V (eco)	IF 80V (eco)	IF 100V (eco)
Capacity	l	30	50	80	100
Rated power	kW	0.7 / 1.3 / 2.0			
Rated pressure, max	bar	7			
Rated voltage / Frequency	V/Hz	230 / 50			
Heating time, $\Delta t^{\circ}=45^{\circ}\text{C}$	h : min	0:45	1:15	1:59	2:29
Net weight	kg \pm 8%	9.0	12.0	15.5	18.0
Mount		vertical			
IP rating		IPX4			
Width (Z)	mm	453	452	511	
Depth (Y)	mm	263		293	
Height (X)	mm	557	838	968	1185



ELECTRIC STORAGE WATER HEATER SERIES

FLAT ECO

Stainless steel series with flat shape with high efficiency and energy saving.



Stainless steel inner tank G.5



Flat shape models



Steel outer casing



Fast heating mode



Mechanical control



Heat loss proof



5 years inner tank warranty





Space saving.

Water heater is designed using Double Tank technology. Due to this technology, the water heater becomes flat with small dimensions so it's easy to place even in a small apartment.

Different settings.

Three modes of heating, including quick and eco.

High reliability.

Stainless steel inner tank G.5 with corrosion protection ensures stable and long-life operation.

Simple control.

A convenient mechanical temperature adjustment knob helps to change the heating mode in one motion.

Design.

Modern stylish body in a classic white color.

G.5 technologies

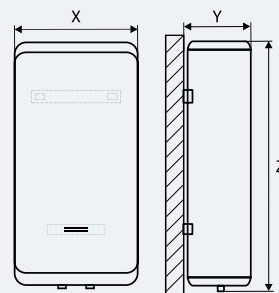


Super flat body from 26.8cm



Stylish control panel

Models		Flat ECO 30V	Flat ECO 50V	Flat ECO 80V	Flat ECO 100V
Capacity	l	30	50	80	100
Rated power	kW	0.7 / 1.3 / 2.0			
Rated pressure, max	bar	8			
Rated voltage / Frequency	V/Hz	230 / 50			
Heating time, Δt°=45°C	h : min	0 : 50	1 : 20	2 : 10	2 : 40
Net weight	kg ± 8%	12.3	16.4	20.9	24.4
Mount		vertical			
IP rating		IPX4			
ERP	load profile	S	M		L
Width (X)	mm	464		552	
Depth (Y)	mm	268		299	
Height (Z)	mm	631	657	1120	1368



ELECTRIC STORAGE WATER HEATER SERIES

M-SMART — MS

Stainless steel series with flat shape is an ideal solution for city apartments and offices. LCD display with touch control and modern design makes the model comfortable and functional.

“
Convenient
technology
in a flat case



Stainless steel inner tank G.5



Flat shape models



Steel outer casing



Fast heating mode



Mechanical control with LCD display



Heat loss proof



5 years inner tank warranty

High reliability.

Stainless steel inner tank G.5 with corrosion protection ensures stable and long-life operation.

Simple control.

A convenient mechanical temperature adjustment knob with sound helps to change the heating mode in one motion.

Modern technologies.

A color LCD-display with touch control displays the scale of heating and temperature.

Different settings.

Three modes of heating, including quick and eco.

Functional design.

The flat body of snow-white color differs in compact sizes and easily fits even in small rooms.



Super flat body from 23.0 cm



Metal protective cover

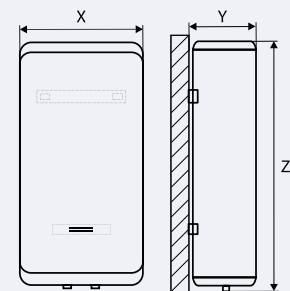


Touch button with power control



A reliable mounting bracket

Models		MS 30V	MS 50V	MS 80V	MS 100V
Capacity	l	30	50	80	100
Rated power	kW	0.8 / 1.2 / 2.0			
Rated pressure, max	bar	7			
Rated voltage / Frequency	V/Hz	230 / 50			
Heating time, $\Delta t^\circ=45^\circ\text{C}$	h : min	0 : 50	1 : 20	2 : 10	2 : 40
Net weight	kg \pm 8%	9.2	12.6	16.8	20.0
Mount		vertical			
IP rating		IPX4			
ERP	load profile	S	M		L
Width (X)	mm	434		514	
Depth (Y)	mm	230		270	
Height (Z)	mm	555	843	993	1203



ELECTRIC STORAGE WATER HEATER SERIES

MECHANIK — MK

Flat shape, ergonomics and ease control offer this series as universal solution for an apartment or a house.

”
Practical
choice



Stainless steel inner tank G.5



Flat shape models



Steel outer casing



Fast heating mode



Mechanical control



Heat loss proof



5 years inner tank warranty

Functional design.

The flat body of snow-white color differs in compact sizes and easily fits even in small rooms.

High reliability.

Stainless steel inner tank G.5 with corrosion protection ensures stable and long-life operation.

Ergonomic control panel.

One movement of the mechanical regulator set required heating temperature.

Different settings.

Three modes of heating, including quick and eco.



Super flat body from 23.0cm



Lower water outlet connections

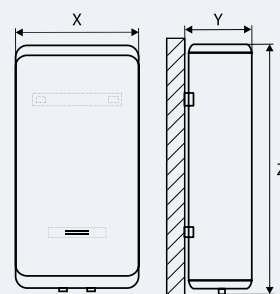


Ergonomic mechanical control



A reliable mounting bracket

Models		MK 30V	MK 50V	MK 80V	MK 100V
Capacity	l	30	50	80	100
Rated power	kW	0.8 / 1.2 / 2.0			
Rated pressure, max	bar	7			
Rated voltage / Frequency	V/Hz	230 / 50			
Heating time, $\Delta t^{\circ}=45^{\circ}\text{C}$	h : min	0 : 50	1 : 20	2 : 10	2 : 40
Net weight	kg \pm 8%	9.2	12.6	16.8	20.0
Mount		vertical			
IP rating		IPX4			
ERP	load profile	S	M		L
Width (X)	mm	434		514	
Depth (Y)	mm	230		270	
Height (Z)	mm	555	843	993	1203



ELECTRIC STORAGE WATER HEATER SERIES

PRAKTIK

Practical series of water heaters with stainless steel inner tank and high power heating element.

“
Classic
is always
in fashion



Stainless steel inner tank G.5



Heating element TitaniumHeat



Steel outer casing



Fast heating mode



Mechanical control



Child protection



Heat loss proof



5 years inner tank warranty

Safety.

Stainless steel inner tank G.5 has a high corrosion protection.

Different settings.

Three modes of heating, including quick and eco.

Easy to use.

Reliable mechanical control. Switching on and heating indicators.

Economical.

High-density thermal insulation made of polyurethane foam allows you to keep hot water longer without additional waste of electricity.

Durability.

A reliable heating element created using TitaniumHeat technology with high titanium content.



A universal mounting bracket



Thermometer

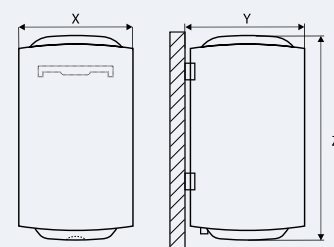


PRESS & TURN controller



Hidden water outlets

Models		Slim models			Standard models			
		Praktik 30V Slim	Praktik 50V Slim	Praktik 60V Slim	Praktik 50V	Praktik 80V	Praktik 100V	Praktik 150V
Capacity	l	30	50	60	50	80	100	150
Rated power	kW	1.0 / 1.5 / 2.5						
Rated pressure, max	bar	7						
Rated voltage / Frequency	V/Hz	230 / 50						
Heating time, $\Delta t = 45^\circ\text{C}$	h : min	0 : 36	1 : 00	1 : 10	1 : 00	1 : 36	2 : 00	3 : 00
Net weight	kg \pm 8%	13.5	16.9	19.8	19.4	21.2	24.4	35.4
Mount		vertical						
IP rating		IPX4						
ERP	load profile	S	M		M		L	XL
Width (X)	mm	365			445			
Depth (Y)	mm	378			459			
Height (Z)	mm	501	722	839	547	771	923	1283



ELECTRIC STORAGE WATER HEATER SERIES

ETERNA

Highly reliable storage water heaters with stainless steel inner tank in traditional round wall-mounting form factor.

“
Proven
quality”



Stainless steel inner tank G.5



Heating element TitaniumHeat



Steel outer casing



Mechanical control



Child protection



Heat loss proof



5 years inner tank warranty

Economical.

High-density thermal insulation made of polyurethane foam allows you to keep hot water longer without additional waste of electricity.

Easy to use.

The mechanical regulator helps to set the temperature literally in one motion, and the built-in thermostat automatically regulates the heating of the water.

Versatility.

The series has an optimum power of 1.5 kW and can be used even in houses with a low power grid.

Durability.

A reliable heating element created using TitaniumHeat technology with high titanium content.



A universal mounting bracket

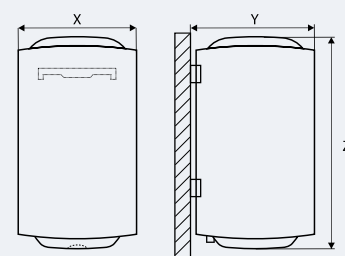


PRESS & TURN controller



Hidden water outlets

Models		Slim models			Standard models			
		Eterna 30V Slim	Eterna 50V Slim	Eterna 60V Slim	Eterna 50V	Eterna 80V	Eterna 100V	Eterna 150V
Capacity	l	30	50	60	50	80	100	150
Rated power	kW	1.5						
Rated pressure, max	bar	6						
Rated voltage / Frequency	V/Hz	230 / 50						
Heating time, Δt°=45°C	h : min	1 : 05	1 : 45	2 : 10	1 : 45	2 : 50	3 : 30	4 : 40
Net weight	kg ± 8%	10.2	13.4	18.5	13.2	16.8	19.6	24.6
Mount		vertical						
IP rating		IPX4						
ERP	load profile	S	M		M		L	XL
Width (X)	mm	365			445			
Depth (Y)	mm	378			459			
Height (Z)	mm	501	722	839	547	771	923	1283

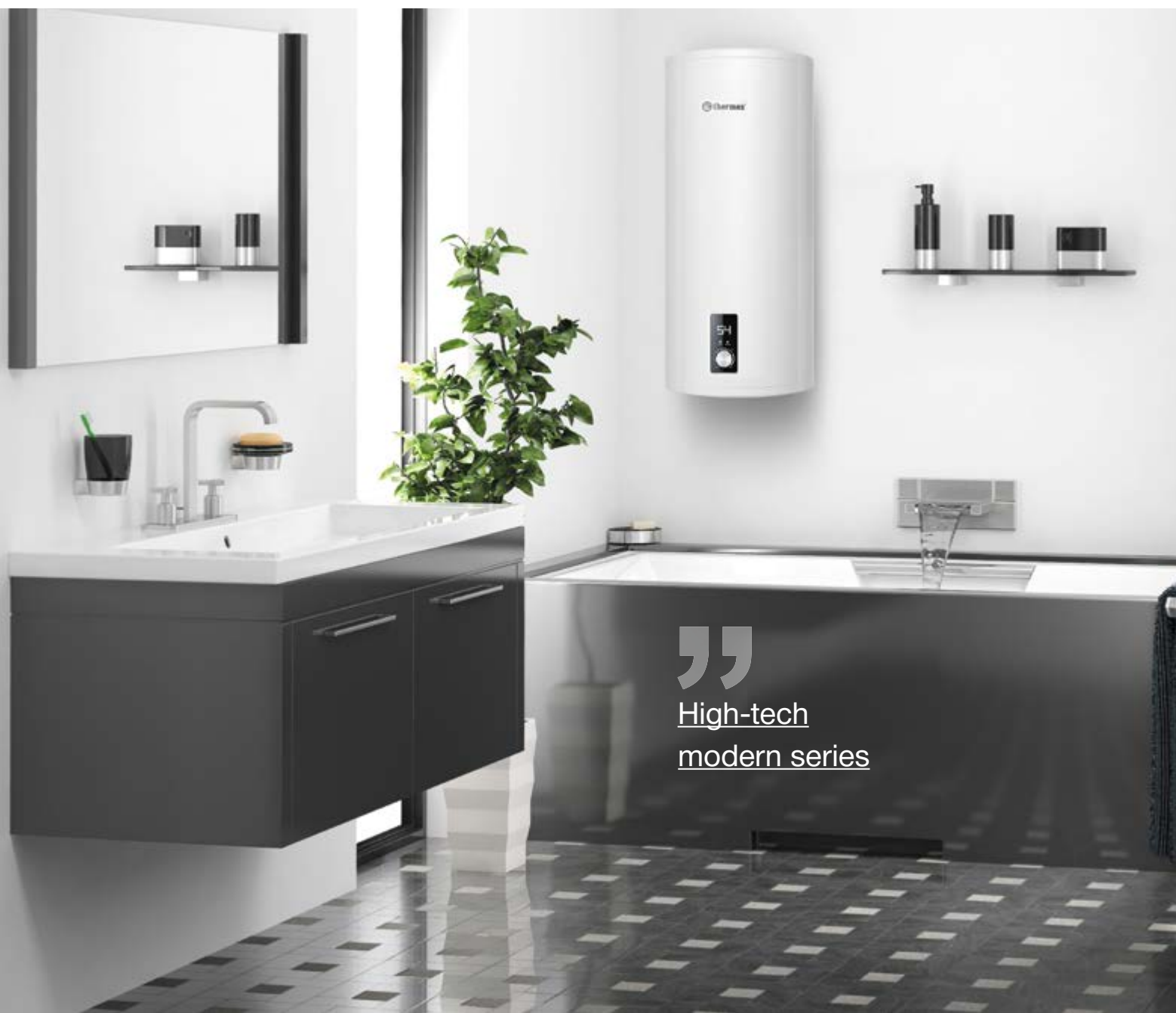


G.5 technologies

ELECTRIC STORAGE WATER HEATER SERIES

SOLO

High-tech modern water heater with stainless steel inner tank. This series has a stylish control panel and includes all the latest technological developments of Thermex.





High reliability.

Stainless steel inner tank G.5 with corrosion protection ensures stable and long-life operation.

Fast heating.

2000 W heating element TitaniumHeat made of stainless steel allows to heat water in the shortest possible time.

Convenient operation.

Mechanical regulator with informative electronic display showing the current temperature.

Economical.

High-density thermal insulation made of polyurethane foam allows you to keep hot water longer without additional waste of electricity.

G.5 technologies



A reliable mounting bracket

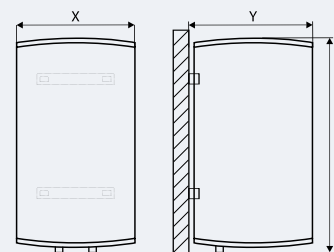


Lower water outlet connections



Stylish control panel

Models		Solo 30V	Solo 50V	Solo 80 V	Solo 100V
Capacity	l	30	50	80	100
Rated power	kW	2.0			
Rated pressure, max	bar	7			
Rated voltage / Frequency	V/Hz	230 / 50			
Heating time, $\Delta t^{\circ}=45^{\circ}\text{C}$	h : min	0 : 40	1 : 05	1 : 50	2 : 20
Net weight	kg \pm 8%	8.3	11.3	14.4	16.8
Mount		vertical			
IP rating		IPX4			
ERP	load profile	S	M		L
Width (X)	mm	340		410	
Depth (Y)	mm	355		425	
Height (Z)	mm	462	530	787	935



ELECTRIC STORAGE WATER HEATER SERIES

FUSION

Stainless steel series with laconic design, high functionality and ease of operation.



Concise
design, reliable
performance



Stainless steel inner tank G.5



Heating element TitaniumHeat



High rated power



Heat loss proof



Mechanical control



5 years inner tank warranty

High reliability.

Stainless steel inner tank G.5 with corrosion protection ensures stable and long-life operation.

Fast heating.

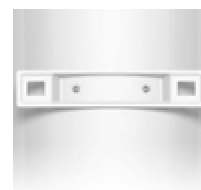
2000 W heating element TitaniumHeat made of stainless steel allows to heat water in the shortest possible time.

Easy to use.

The mechanical regulator helps to make the settings the settings literally in one motion.

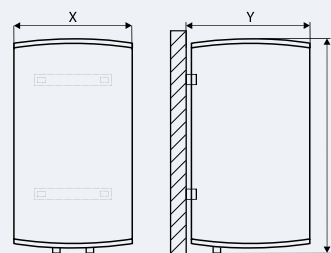


Lower water outlet connections



A reliable mounting bracket

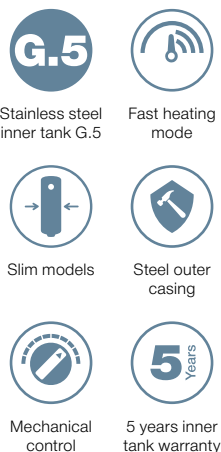
Models		Fusion 30V	Fusion 50V	Fusion 80V	Fusion 100V
Capacity	l	30	50	80	100
Rated power	kW	2.0			
Rated pressure, max	bar	7			
Rated voltage / Frequency	V/Hz	230 / 50			
Heating time, $\Delta t^\circ=45^\circ\text{C}$	h : min	0 : 40	1 : 05	1 : 50	2 : 20
Net weight	kg \pm 8%	8.3	11.3	14.4	16.8
Mount		vertical			
IP rating		IPX4			
ERP	load profile	S	M		L
Width (X)	mm	340		410	
Depth (Y)	mm	355		425	
Height (Z)	mm	462	530	787	935



ELECTRIC STORAGE WATER HEATER SERIES

ULTRASLIM — IU

The slimmest model in the range! Stainless steel series with space saving ultra-slim diameter for easy installation in the limited places.



Wide possibilities in a narrow case

Compactness.

A diameter of 27 cm helps to locate the water heater even in the smallest bathrooms, kitchens, in corner niches and rooms with non-standard design.

Safety.

Stainless steel inner tank G.5 has a high corrosion protection.

Different settings.

Three modes of heating, including quick and eco.

Economical.

High-density thermal insulation made of polyurethane foam allows you to keep hot water longer without additional waste of electricity.

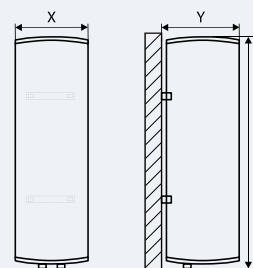


Mechanical control.
Lower water outlet
connections



A reliable mounting
bracket

Models		IU 30V	IU 50V
Capacity	l	30	50
Rated power	kW	0.7 / 1.3 / 2.0	
Rated pressure, max	bar	6	
Rated voltage / Frequency	V/Hz	230 / 50	
Heating time, $\Delta t^{\circ}=45^{\circ}\text{C}$	h : min	0 : 50	1 : 20
Net weight	kg \pm 8%	9.5	13.5
Mount		vertical	
IP rating		IPX4	
ERP	load profile	S	M
Width (X)	mm	270	
Depth (Y)	mm	285	
Height (Z)	mm	800	1235



”

For perfectly
integration
in any place



COMPACT ELECTRIC STORAGE WATER HEATERS

Compact Thermex water heaters are designed to supply hot water in small volumes. Suitable for small apartments and country houses.

Advantages

Reliability

The internal tanks of the water heaters are protected against corrosion — the main reason for the breakdown of such equipment — which ensures a long and stable operation.

Ease of use

There are protection functions against accidental activation, and all controls are located in one place, which helps to conveniently adjust the temperature — literally in one motion.

Easy installation

Low-pressure water heaters include under and over sink mounting models, which makes it convenient to place the water heater even in a small space.



ELECTRIC STORAGE WATER HEATER SERIES

BLITZ

Series of compact and powerfull storage water heaters with stainless steel inner tank and extremely fast heating time.



Stainless steel inner tank G.5



Fast heating mode



Mechanical control



Compact size



Child protection



Power cord included



5 years inner tank warranty



”
Extremely fast
heating time

**Compactness.**

10 and 15 liters water heaters are perfect for small apartments and country houses.

High reliability.

Stainless steel inner tank G.5 with corrosion protection ensures stable and long-life operation.

High efficiency.

This model provides high power (2.5 kW), which gives the fastest heating of water — in just 12 minutes.

Ease of use.

The simple mechanical control PRESS & TURN with child protection helps to easily use the water heater and changing the heating temperature in one motion.



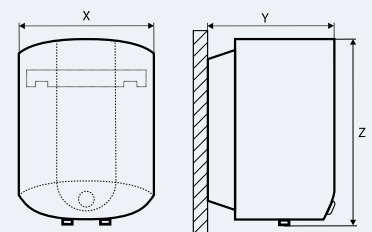
Modern design

Impact-resistant plastic body



Mechanical control with child protection PRESS & TURN.

Models		IBL 10O	IBL 10U	IBL 15O	IBL 15U
Capacity	l	10			15
Rated power	kW	1.5 / 2.5			
Rated pressure, max	bar	7			
Rated voltage / Frequency	V/Hz	230 / 50			
Heating time, $\Delta t^{\circ}=45^{\circ}\text{C}$	h : min	0 : 12			0 : 18
Net weight	kg \pm 8%	5.3			6.5
Mount		over	under	over	under
IP rating		IPX4			
ERP	load profile	XXS			
Width (X)	mm	290			315
Depth (Y)	mm	290			320
Height (Z)	mm	420			455



ELECTRIC STORAGE WATER HEATER SERIES

BLITZ ECO

Series of compact and powerfull storage water heaters with stainless steel inner tank equipped with heating element of standard power rate.



Heats water
in a couple
of minutes



Stainless steel
inner tank G.5



Child
protection



Mechanical
control



Compact size



Power cord
not included



3
Years
inner
tank warranty

Compactness.

10 and 15 liters water heaters are perfect for small apartments and country houses.

High reliability.

Stainless steel inner tank G.5 with corrosion protection ensures stable and long-lffe operation.

Ease of use.

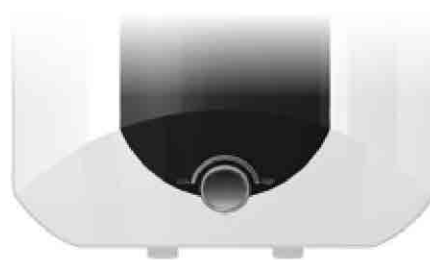
The simple mechanical control PRESS & TURN with child protection helps to easily use the water heater and changing the heating temperature in one motion.



Impact-resistant
plastic body

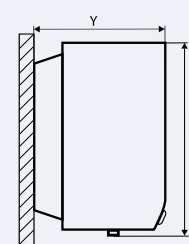
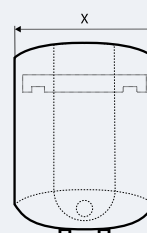


Lower water outlet
connections



Modern design

Models		IBL 10O (eco)	IBL 10U (eco)	IBL 15O (eco)	IBL 15U (eco)
Capacity	l	10		15	
Rated power	kW	1.5			
Rated pressure, max	bar	7			
Rated voltage / Frequency	V/Hz	230 / 50			
Heating time, $\Delta t^{\circ}=45^{\circ}\text{C}$	h : min	0 : 21		0 : 31	
Net weight	kg \pm 8%	5.3		6.5	
Mount		over	under	over	under
IP rating		IPX4			
ERP	load profile	XXS			
Width (X)	mm	290		315	
Depth (Y)	mm	290		320	
Height (Z)	mm	420		455	



ELECTRIC STORAGE WATER HEATER SERIES

NOBEL — N

Nobel is designed to optimally solve the problem of hot water in the exact volume that is required by the user. This water heater embodies the idea of modern, technological and at the same time simple and understandable equipment for everyday life.

“
Quick work,
simple settings”



- G.5**
Stainless steel inner tank G.5
- Mechanical control**
- SUPER FOAM**
Heat loss proof
- Compact size**
- 2 kW**
High rated power
- Steel outer casing**
- 5 Years**
5 years inner tank warranty

High reliability.

Stainless steel inner tank G.5 with corrosion protection ensures stable and long-life operation.

Compactness.

10 and 15 liters water heaters are perfect for small kitchens and bathrooms.

Economical.

High-density Super Foam thermal insulation helps keep water hot and reduces heat loss.

Extensive installation options.

Under and over sink mounting models.

Convenient control.

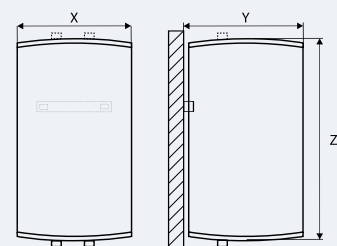
A simple mechanical regulator for temperature settings.



Mechanical control

Compact

Models		N 10O	N 10U	N 15O	N 15U
Capacity	l	10			15
Rated power	kW		2.0		
Rated pressure, max	bar		7		
Rated voltage / Frequency	V/Hz		230 / 50		
Heating time, Δt°=45°C	h : min	0:16			0:28
Net weight	kg ± 8%	6.2			7.1
Mount		over	under	over	under
IP rating			IPX4		
ERP	load profile		XXS		
Width (X)	mm		260		
Depth (Y)	mm		275		
Height (Z)	mm	398			533



ELECTRIC STORAGE WATER HEATER SERIES

HIT PRO — H (PRO)

Series of compact storage water heaters are suitable for places where you need for a small quantity of hot water, such as kitchens, workshops and small food and service firms restrooms.



Compact
and pretty



Bio-glasslined inner tank BIO



Heating element TitaniumHeat



Mechanical control



Heat loss proof



Compact size



Power cord included



5 years inner tank warranty

Health care.

Bio-glasslined coating reliably protects the inner tank from corrosion and keeps the water clean and fresh.

Easy installation.

A series of compact water heaters includes under and over sink mounting models, which makes it convenient to place water heater even in a small space.

Reliability.

Bio-glasslined coating increase tank resistant to temperature changes, water hammers and microcracks appearance in active using.

Easy operation.

All controls are located on the front panel, which helps to adjust the temperature — literally in one motion.

Functionality.

The light indication informs you about heating mode and switch on the water heater.



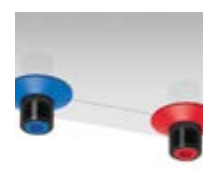
Modern design



Impact-resistant plastic body

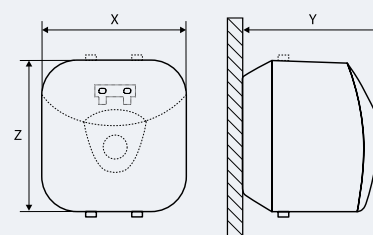


Mechanical control



Lower / upper water outlet connections

Models		H 10O (pro)	H 10U (pro)	H 15O (pro)	H 15U (pro)	H 30O (pro)	H 30U (pro)
Capacity	l	10		15		30	
Rated power	kW					1.5	
Rated pressure, max	bar	8					
Rated voltage / Frequency	V/Hz	230 / 50					
Heating time, $\Delta t^\circ=45^\circ\text{C}$	h : min	0 : 21		0 : 31		1 : 00	
Net weight	kg \pm 8%	7.5		8.5		12.5	
Mount		over	under	over	under	over	under
IP rating		IPX4					
ERP	load profile	XXS				S	
ERP	class	B				C	
Width (X)	mm	345		385		455	
Depth (Y)	mm	304		335		408	
Height (Z)	mm	366		406		476	



ELECTRIC STORAGE WATER HEATER SERIES

HIT ECO — H (ECO)

A simple, affordable and reliable water heater with convenient mechanical control.



Bio-glasslined inner tank BIO



Heating element TitaniumHeat



Mechanical control



Heat loss proof



Compact size



Power cord not included



5 years inner tank warranty



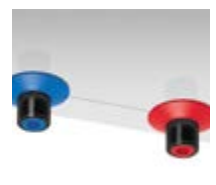
Modern design



Impact-resistant plastic body



Mechanical control



Lower / upper water outlet connections

Health care.

Bio-glasslined coating reliably protects the inner tank from corrosion and keeps the water clean and fresh.

Easy installation.

A series of compact water heaters includes under and over sink mounting models, which makes it convenient to place water heater even in a small space.

Reliability.

Bio-glasslined coating increase tank resistant to temperature changes, water hammers and microcracks appearance in active using.

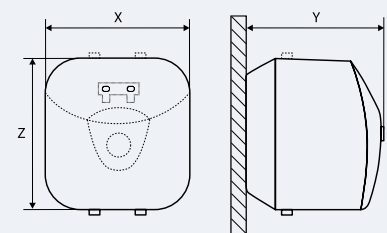
Easy operation.

All controls are located on the front panel, which helps to adjust the temperature — literally in one motion.

Functionality.

The light indication informs you about heating mode and switch on the water heater.

Models		H 100 (eco)	H 10U (eco)	H 150 (eco)	H 15U (eco)	H 300 (eco)	H 30U (eco)
Capacity	l	10		15		30	
Rated power	kW			1.5			
Rated pressure, max	bar			8			
Rated voltage / Frequency	V/Hz			230 / 50			
Heating time, $\Delta t=45^{\circ}\text{C}$	h : min	0 : 21		0 : 31		1 : 00	
Net weight	kg \pm 8%	7.5		8.5		12.5	
Mount		over	under	over	under	over	under
IP rating				IPX4			
ERP	load profile			XXS		S	
ERP	class			B		C	
Width (X)	mm	345		385		455	
Depth (Y)	mm	304		335		408	
Height (Z)	mm	366		406		476	



”

For stable
and trouble-free
work



LARGE VOLUME OR COMBINED ELECTRIC STORAGE WATER HEATERS

Large volume or combined water heaters are designed to produce large amounts of hot water in private homes, cottages, small and medium-sized businesses.

Advantages

Great volume

Floor models with a volume to 300 liters.

Improved energy efficiency

The increased layer of high-density thermal insulation keeps the hot water longer without additional waste of electricity.

Durability

Internal tank protection technologies and magnesium anodes increase the protection of water heaters from corrosion and ensure stable and trouble-free work.

Universal electrical connection

Possibility of single-phase (230 V) or three-phase connection (400 V).

Compatibility

Integration in home heating system for indirect heating of water without electricity.



ELECTRIC COMBINED WATER HEATER SERIES

COMBI INOX PRO — IRP (COMBI) PRO

Professional line. New large-capacity stainless steel combined water heater with stainless steel inner tank G.5 and two stainless heat exchangers. Designed to work simultaneously with two alternative energy sources — a heating boiler and a solar collector. It is easily integrated into the heating system and has a high indirect heating rate — 200 liters of water are heated at 45 degrees in just 15 minutes.



Stainless steel inner tank G.5



Fast heating 6,0/4,0/2,0 kW



Two indirect heat exchangers



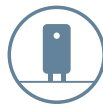
Mechanical control



Steel outer casing



Heat loss proof



Floor standing model



5 years inner tank warranty



”

Two times more power, two times more efficient



Wide opportunities.

Designed to work simultaneously with two alternative energy sources - a heating boiler and a solar collector.

Low expenses.

High-density thermal insulation made of polyurethane foam allows you to keep hot water longer without additional waste of electricity.

Durability.

Stainless steel inner tank G.5 with corrosion protection ensures stable and long-lfe operation.

High reliability.

2 enlarged protection anodes.

Fast heating.

Three heating modes with a power of up to 6 kW provide a large volume of water in a short time.

Integration with gas boilers.

Combined water heaters constructed to become a part of gas boilers and multiply it's efficiency.

Large or combined

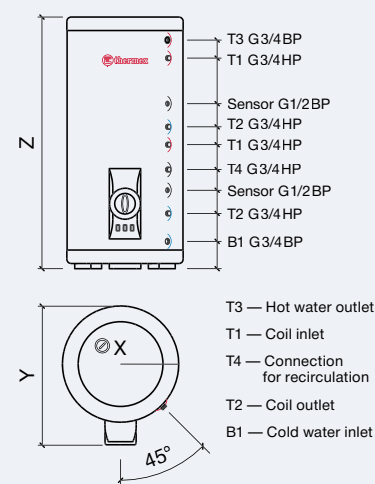


Side connections G3/4



Reliable mechanical control

Models		IRP 200 V (combi) PRO
Capacity	l	200
Rated power	kW	6.0
Heat exchanger area	m ²	2 x 0.7
Coil power	kW	2 x 24.0
Rated pressure, max	bar	7
Rated voltage / Frequency	V / Hz	230 / 50
Heating time, Δt°=45°C (from heating element)	h : min	1 : 40
Heating time, Δt°=45°C (from 1 coil)	h : min	0 : 28
Heating time, Δt°=45°C (from both coil)	h : min	0 : 15
Net weight	kg ±8%	60.4
Mount		floor standing
IP rating		IPX4
Width (X)	mm	560
Depth (Y)	mm	672
Height (Z)	mm	1216



ELECTRIC COMBINED WATER HEATER SERIES

COMBI INOX — IRP (COMBI)

Professional line. New range of large-capacity stainless steel combined water heaters for domestic or industrial use. High efficiency and widely applying to central heating system, gas boilers, heat pumps, solar systems, etc.



Stainless steel inner tank G.5



Steel outer casing



Floor standing model



Heat loss proof



One indirect heat exchanger



Mechanical control



5 years inner tank warranty

“
Powerful
and economical

Large volume.

Floor standing models with 150 — 300 liters capacity.

Low expenses.

High-density thermal insulation made of polyurethane foam allows you to keep hot water longer without additional waste of electricity.

Durability.

Stainless steel inner tank G.5 with corrosion protection ensures stable and long-life operation.

High reliability.

2 enlarged protection anodes.

Fast heating.

Three heating modes with a power of up to 6 kW provide a large volume of water in a short time.



Reliable mechanical control

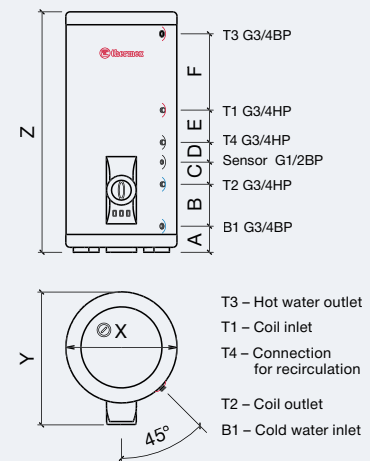


Side connections G3/4



Integrated heat exchanger

Models		IRP 150V (combi)	IRP 200V (combi)	IRP 280V (combi)	IRP 300V (combi)
Capacity	l	150	200	280	300
Rated power	kW	6.0			
Heat exchanger area	m ²	0.72			
Coil power	kW	24.0			
Rated pressure, max	bar	7			
Rated voltage / Frequency	V/Hz	230 / 50			
Heating time, $\Delta t^{\circ}=45^{\circ}\text{C}$ (from heating element)	h : min	1 : 20	1 : 40	2 : 20	2 : 28
Heating time, $\Delta t^{\circ}=45^{\circ}\text{C}$ (from coil)	h : min	0 : 24	0 : 32	0 : 45	0 : 48
Net weight	kg \pm 8%	42.2	51.4	64.7	66.9
Mount		floor standing			
IP rating		IPX4			
Width (X)	mm	560			
Depth (Y)	mm	672			
Height (Z)	mm	961	1215	1594	1594



ELECTRIC STORAGE WATER HEATER SERIES

CHAMPION FLOOR — ER

Professional line. Floor standing water heaters with big capacity and high performance of hot water output, created to supply large environment.

“
Reliable
technology
for many years



- BIO**

Bio-glasslined inner tank BIO

Steel

Steel outer casing
- Fast heating**

Fast heating mode

Floor standing

Floor standing model
- SUPER FOAM**

Heat loss proof

Mechanical control
- 5**

Years

5 years inner tank warranty

- Large volume.**
Floor standing models with 200 and 300 liters capacity.
- Low expenses.**
High-density thermal insulation made of polyurethane foam allows you to keep hot water longer without additional waste of electricity.
- Durability.**
Bio-glasslined coating reliably protects the inner tank from corrosion, while the magnesium anode double increases protection.
- Robust housing.**
The reinforced construction of the body made of high-strength steel.
- Fast heating.**
Three heating modes with a power of up to 3 kW provide a large volume of water in a short time.
- Universal power connection.**
Possibility of single-phase (230 V) or three-phase connection (400 V).
- Integration with gas boilers.**
Combined water heaters constructed to become a part of gas boilers and multiply its efficiency.

Large or combined



Three power control buttons

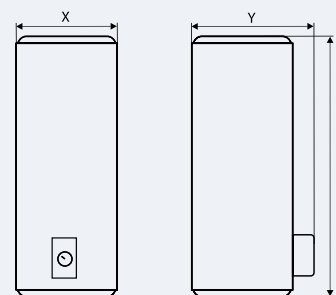


Reliable mechanical control



Side connections G3/4

Models		ER 200 V	ER 300 V
Capacity	l	200	300
Rated power	kW	1.0 / 2.0 / 3.0	
Rated pressure, max	bar	8	
Rated voltage / Frequency	V/Hz	230 / 400 – / 50	
Heating time, Δt=45°C	h : min	3 : 30	5 : 15
Net weight	kg ± 8%	56.7	73.8
Mount		floor standing	
IP rating		IPX4	
ERP	load profile	XXL	
Width (X)	mm	560	
Depth (Y)	mm	672	
Height (Z)	mm	1216	1705



ELECTRIC COMBINED WATER HEATER SERIES

COMBI — ER (COMBI)

Professional line. Combined storage water heaters with an integrated high performance serpentine heat exchanger and electric heating element. Highly efficient solution for using the alternative sources of heating energy.



Bio-glasslined
inner tank
BIO



One
indirect heat
exchanger



Mechanical
control



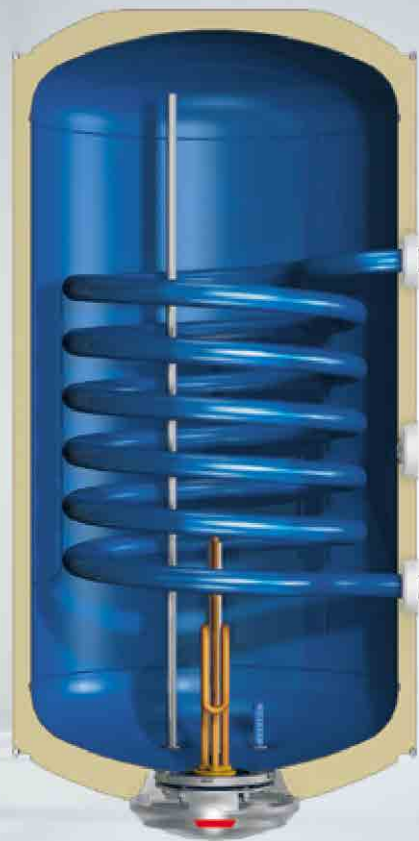
Steel outer
casing



Heat loss
proof



5 years inner
tank warranty



”

Universal
technique
for home



Maximum integration

Combined water heaters constructed to become a part of any modern heating system and multiply it's efficiency by integration with:

- Central heating systems**
- Gas and fuel boilers**
- Heat pumps**
- Solar collectors**

... and other popular types of domestic heating sources.

Maximum efficiency

The internal heating controlled by a double safety thermostat and temperature setting knob, through the coil may work combined with the external heating system, having so a double heating source for maximum performance of hot water. Switched heating element "off" letting the water being heating by the external source via the coil; with the element "on" and the external heating system "off" it helps saving energy in the summer month.

Maximum reliability

COMBI series provide optimum reliability even when working with more severe conditions than a conventional water heaters. Inner tank and heat exchanger are covered by Bio-glasslined coating with highest grade of anti-corrosion protection. Long life of COMBI heaters provided by using high level quality raw materials and spare parts with multi-stage quality control on production lines.

Large or combined

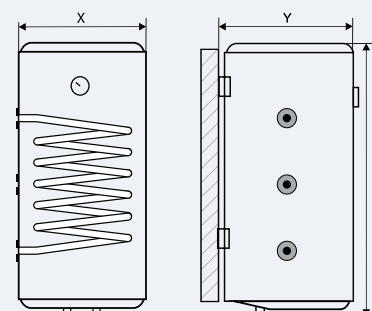


Additional thermostat's connection port (optional)



Models with right or left side connections

Models		ER 80V (combi)		ER 100V (combi)		ER 150V (combi)	
		base		base	optional	base	optional
Capacity	l	76.0		95.0		142.5	
Rated power	kW	1.2		1.5			
Heat exchanger area	m ²	0.22		0.22	0.41	0.22	0.41
Heat exchanger power	kW	6.5		6.5	10.0	6.5	10.0
Rated pressure, max	bar	8					
Rated voltage / Frequency	V/Hz	230 ~ / 50					
Heating time, Δt°=45°C	h : min	2 : 50		3 : 30		4 : 40	
Net weight	kg ± 8%	25.9		29.1	30.6	40.1	41.6
Mount		vertical					
IP rating		IPX4					
ERP	load profile	M		L		XL	
ERP	class	C					
Width (X)	mm	445					
Depth (Y)	mm	459					
Height (Z)	mm	771		923		1283	





Compact,
fast and
reliable



ELECTRIC INSTANTANEOUS WATER HEATERS

Compact, fast and reliable Thermex instantaneous water heaters completely solve the problem of hot water supply, especially when warm water needed immediately. Among the models of instantaneous water heaters, it is easy to choose with requested power and functionality.

Advantages

Compactness

All models have a modest size, which allows you to save free space of kitchen or bathroom.

Performance

Instantaneous water heaters do not have a water volume limit and instantly supply hot water — as much as necessary.

Technology

Stainless steel highly efficient spiral heating element ensure uncompromisingly fast and uninterrupted water heating.

Usability

Thermex instantaneous water heaters are user-friendly. Heating the water begins instantaneously with the opening of the tap.

Efficiency

Instantaneous water heaters using implies the consumption of electricity only at the time of hot water direct use.

Safety

IP rating IP25, overheating protection, protection against switching on without water and protection from air plugs.



ELECTRIC INSTANTANEOUS WATER HEATER SERIES

TOPFLOW PRO

The most advanced 3-phase electric instantaneous water heater with intelligent technology and modern design.



Multi water points



Stainless steel heating element and flask



Touch control with LCD display



Constant outlet water temperature



Universal mounting template



Three-phase connection



Instant hot water supply



Self-diagnosis



2 years warranty



”
Intelligent
technology
and modern
design

**High performance.**

Three-phase water heater completely provides several points of hot water consumption.

Intellectual technologies.

Ability to accurately set the temperature and automatically memorize the latest settings.

Reliability.

Stainless steel tube heating element and flask ensure uncompromisingly fast and uninterrupted water heating.

Ease of use.

Constant outlet water temperature even at fluctuations of pressure and temperature in the water supply system.

Usability.

User-friendly interface, bright LCD with backlight.

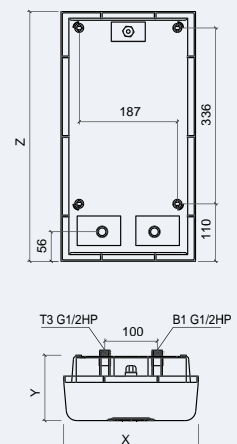
Safety.

IP rating IP24, double overheating protection, protection against switching on without water and protection from air plugs.



LCD-display with pleasant orange or blue backlight

Models		Topflow Pro 21000	Topflow Pro 24000
Wattage	kW	21.0	24.0
Working pressure	MPa	0.1 — 1.0	
Nominal pressure	MPa	1.0	
Rated voltage / Frequency	V/Hz	400 ~ / 50	
Output ($\Delta t=25^{\circ}\text{C}$)	L/min	11.8	13.8
Output ($\Delta t=35^{\circ}\text{C}$)	L/min	8.5	9.8
Minimal cable section	mm ²	4.0	
IP rating		IP24	
Energy efficiency class		A	
Net weight	kg±8%	4.3	
Width (X)	mm	257	
Depth (Y)	mm	125	
Height (Z)	mm	477	



ELECTRIC INSTANTANEOUS WATER HEATER SERIES

TOPFLOW

One of the most functional, modern and reliable series of electric instantaneous water heaters.



Multi water points



Stainless steel spiral heating element



Touch control with LCD display



Constant outlet water temperature



Universal mounting template



Instant hot water supply



Self-diagnosis



2 years warranty



**Functionality.**

It can be used to serve several points of water consumption at once.

Ease of use.

Constant outlet water temperature even at fluctuations of pressure and temperature in the water supply system.

Reliability.

Stainless steel spiral heating element with antiscaling protection ensure uncompromisingly fast and uninterrupted water heating.

Usability.

User-friendly interface and functional LCD display with backlight. Quick temperature setting and automatically memorize the latest settings.

Easy installation.

Universal mounting template for quick installation included.

Safety.

IP rating IP25, double overheating protection, protection against switching on without water and protection from air plugs.



Compact size

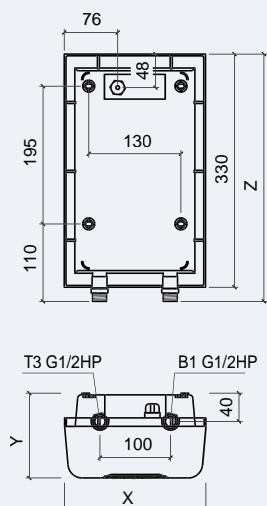


Lower water outlet connections



LCD-display with pleasant orange or blue backlight

Models		Topflow 6000	Topflow 8000	Topflow 10000	Topflow 15000
Wattage	kW	6.0	8.0	10.0	15.0
Working pressure	MPa	0.1 — 1.0			
Nominal pressure	MPa	1.0			
Rated voltage / Frequency	V / Hz	230 ~ / 50 or 400 ~ / 50		400 ~ / 50	
Output (Δt=25°C)	L/min	3.4	4.6	5.7	8.5
Output (Δt=35°C)	L/min	2.5	3.3	4.1	6.2
Minimal cable section	mm ²	4.0		6.0	2.5
IP rating		IP25			
Energy efficiency class		A			
Net weight	kg ± 8%	2.7			
Width (X)	mm	205			
Depth (Y)	mm	125			
Height (Z)	mm	360			



ELECTRIC INSTANTANEOUS WATER HEATER SERIES

TREND

Convenient electric instantaneous water heater with electronic control and flexible installation options.

“
New urban
legend



Multi water points



Stainless steel spiral heating element



Touch control with LCD display



Constant outlet water temperature



Integrated flow control



Universal model, for under sink and over sink installation



Instant hot water supply



2 years warranty

Functionality. It can be used to serve several points of water consumption at once.

Intellectual technologies. Ability to accurately set the temperature and automatically memorize the latest settings.

Reliability. Stainless steel spiral heating element with antiscaling protection ensure uncompromisingly fast and uninterrupted water heating.

Ease of use. Constant outlet water temperature even at fluctuations of pressure and temperature in the water supply system.

Usability. User-friendly interface, bright LCD with backlight.

Flexible installation. Universal mounting and the possibility of a concealed installation make the water heater convenient for small apartments and small kitchens or bathrooms.

Universal. Works in fully automatic mode and mounting bracket for quick installation included.

Safety. IP rating IP25, double overheating protection, protection against switching on without water and protection from air plugs.

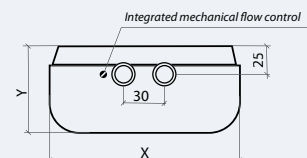
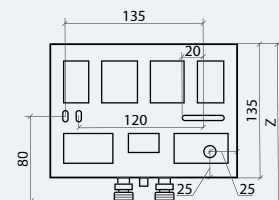


LCD display



Universal model, for vertical or horizontal mount

Models		TREND 4500	TREND 6000
Wattage	kW	4.5	6.0
Working pressure	MPa	0.05 — 1.0	
Nominal pressure	MPa	1.0	
Rated voltage / Frequency	V/Hz	230 ~ / 50	
Output ($\Delta t=25^{\circ}\text{C}$)	L/min	2.6	3.4
Output ($\Delta t=35^{\circ}\text{C}$)	L/min	1.8	2.5
Minimal cable section	mm ²	2.5	4.0
IP rating		IP25	
Energy efficiency class		A	
Net weight	kg $\pm 8\%$	1.4	
Width (X)	mm	190	
Depth (Y)	mm	90	
Height (Z)	mm	157	











ELECTRIC INSTANTANEOUS WATER HEATER SERIES

BALANCE

Convenient electric instantaneous water heater with integrated flow control and flexible connection.

“
Great features
in a small case



- 
 Multi water points
- 
 Stainless steel spiral heating element
- 
 Integrated flow control
- 
 Compact size
- 
 Constant outlet water temperature
- 
 Universal model, for under sink and over sink installation
- 
 Instant hot water supply
- 
 2 years warranty

Reliability.

Stainless steel spiral heating element with antiscaling protection ensures stable and long-life operation.

Functionality.

It can be installed into the water supply system and it can be used to serve several points of water consumption at once.

Flexible installation.

Possibility of a concealed installation makes the water heater convenient for small apartments and small kitchens or bathrooms.

Ease of use.

Works in fully automatic mode and universal mounting plate for quick installation included.

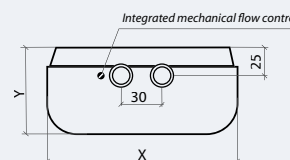
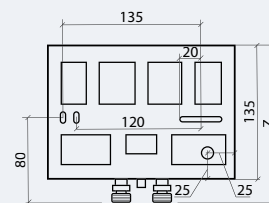
Safety.

IP rating IP25, double overheating protection, protection against switching on without water and protection from air plugs.



Compact size

Models		Balance 4500	Balance 6000
Wattage	kW	4.5	6.0
Working pressure	MPa	0.05 — 1.0	
Nominal pressure	MPa	1.0	
Rated voltage / Frequency	V / Hz	230 ~ / 50	
Output (Δt=25°C)	L / min	2.6	3.4
Output (Δt=35°C)	L / min	1.8	2.5
Minimal cable section	mm²	2.5	4.0
IP rating		IP25	
Energy efficiency class		A	
Net weight	kg ± 8%	1.4	
Width (X)	mm	190	
Depth (Y)	mm	90	
Height (Z)	mm	157	



Electric instantaneous

ELECTRIC INSTANTANEOUS WATER HEATER SERIES

SURF

Easy and compact electric instantaneous water heater with flexible installation options.

“
Small but very
powerful



One water point



Stainless steel spiral heating element



Universal model, for under sink and over sink installation



Compact size



Instant hot water supply



2 years warranty

Reliability.

Stainless steel spiral heating element with antiscaling protection ensures stable and long-life operation.

Universal mounting.

The possibility of over-sink and under-sink installation.

Ease of use.

Universal mounting plate for quick installation included.

Improved supply package.

Kit of shower accessories included. Chrome shower hand has three comfortable operating modes.

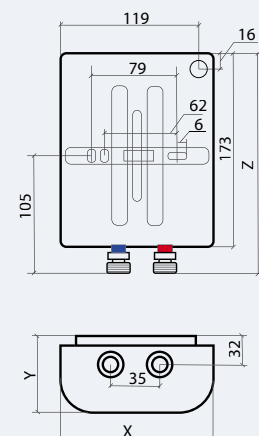
Safety.

IP rating IP24, double overheating protection, protection against switching on without water and protection from air plugs



Possibility to mount with lower or upper water outlet connections

Models		Surf 3500	Surf 5000	Surf 6000
Wattage	kW	3.5	5.0	6.0
Working pressure	MPa		0.05	
Nominal pressure	MPa		0.0	
Rated voltage / Frequency	V/Hz		230 ~ / 50	
Output ($\Delta t=25^{\circ}\text{C}$)	L/min	2.0	2.9	3.4
Output ($\Delta t=35^{\circ}\text{C}$)	L/min	1.4	2.0	2.5
Minimal cable section	mm ²	1.5	2.5	4.0
IP rating			IP24	
Energy efficiency class			A	
Net weight	kg \pm 8%		1.3	
Width (X)	mm		135	
Depth (Y)	mm		80	
Height (Z)	mm		194	
Complete set		hand shower, hose, holder, cable with europlug	hand shower, hose, holder	



ELECTRIC INSTANTANEOUS WATER HEATER SERIES

CITY

A modern reliable water heater with simple installation and compact dimensions.

“
Everything you
need in the kit



- One water point
- Three power modes
- Compact size
- Instant hot water supply
- 1 year warranty

Stable work.

A reliable copper heating element.

Compactness.

Light weight and small dimensions make the water heater convenient for use even in small bathrooms.

Easy installation.

Quick over-sink installation.

Ease of use.

Kit of shower accessories included.

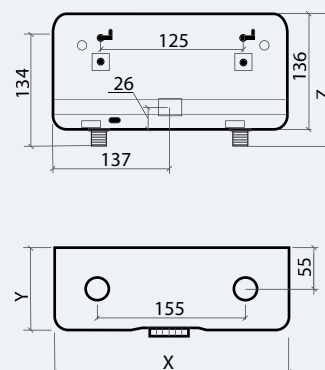
Safety.

Waterproof housing, double overheating protection, protection against switching on without water and protection from air plugs.



Convenient mechanical control

Models		City 3500	City 5500	City 6500
Wattage	kW	3.5	5.5	6.5
Working pressure	MPa	0.03		
Nominal pressure	MPa	0		
Rated voltage / Frequency	V / Hz	230 ~ / 50		
Output (Δt=25°C)	L / min	2.0	3.1	3.7
Output (Δt=35°C)	L / min	1.4	2.2	2.7
Minimal cable section	mm²	1.5	2.5	4.0
IP rating		IPX4		
Net weight	kg ± 8%	1.5		
Width (X)	mm	272		
Depth (Y)	mm	112		
Height (Z)	mm	159		
Complete set		kitchen and shower complete set		



Electric instantaneous

ELECTRIC INSTANTANEOUS WATER HEATER SERIES

JAM

Thermex Jam sets a new level of quality with premium design for integration into any interior, as well as high reliability and safety which will allow you to feel all the advantages of a 2 in 1 device: a water heater and a faucet replacement.



One water point



Stainless steel outer case



Compact size



LCD display



Instant water supply



2 years warranty



”

Safety heating
in modern design

**Convenient use.**

Jam 3000 instantaneous water heater is easy to install instead of a conventional kitchen faucet and plugs into a conventional wall outlet.

Simple operation.

The water temperature and pressure are set by a mechanical regulator, like a conventional faucet, and a light indicator on the body will tell you about heating activation.

Instant heating.

3000 W stainless steel heating element heats up instantly when the tap is opened, providing 2 liters of hot water per minute.

Comfort.

The spout rotates 360 degrees.

Durability.

Ceramic cartridge Sedal intended for a million cycles. SUS304 stainless steel heating element and inner flask. Check valve providing protection against switching on without water and safety valve protects against water hammer and overpressure.

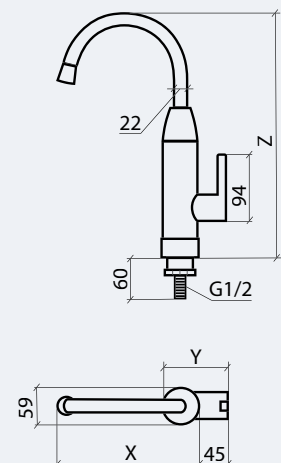


Premium design
for integration
into any interiors



LCD display

Models		Jam 3000
Wattage	kW	3.0
Working pressure	MPa	0.04 — 0.7
Nominal pressure	MPa	0.7
Rated voltage / Frequency	V/Hz	230 ~ / 50
Output ($\Delta t=25^{\circ}\text{C}$)	L/min	1.7
Output ($\Delta t=35^{\circ}\text{C}$)	L/min	1.2
Control		mechanical
IP rating		IP24
Connection size		G 1/2
Net weight	kg \pm 8%	1.3
Width from the base to the handle (X)	mm	224
Width from the base to the faucet (Y)	mm	104
Height (Z)	mm	380
Complete set		cable with europlug



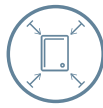
ELECTRIC INSTANTANEOUS WATER HEATER SERIES

HOTTY

Thermex Hotty completely changes the concept of instantaneous water heaters - original, compact and powerful, it not only water heater, but also replaces the faucet. Convenient Thermex Hotty instantaneous water heater fits perfectly into any room and will become a reliable assistant in your home.



One water
point



Compact
size



LCD
display



Instant water
supply



2 years
warranty



**Convenient use.**

Hotty 3000 instantaneous water heater is easy to install instead of a conventional kitchen faucet and plugs into a conventional wall outlet.

Simple operation.

The water temperature and pressure are set by a mechanical regulator, like a conventional faucet, and a LCD screen on the body will tell you about output water temperature.

Instant heating.

3000 W stainless steel heating element heats up instantly when the tap is opened, providing 2 liters of hot water per minute.

Comfort.

The spout rotates 360 degrees.

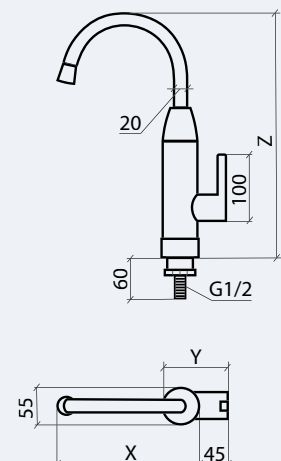
Durability.

Ceramic cartridge Sedal intended for a million cycles. SUS304 stainless steel heating element and inner flask. Check valve mounted on the water inlet, providing protection against switching on without water.



LCD display

Models		Hotty 3000
Wattage	kW	3.0
Working pressure	MPa	0.04 — 0.7
Nominal pressure	MPa	0.7
Rated voltage / Frequency	V/Hz	230 ~ / 50
Output ($\Delta t=25^{\circ}\text{C}$)	L/min	1.7
Output ($\Delta t=35^{\circ}\text{C}$)	L/min	1.2
Control		mechanical
IP rating		IP24
Connection size		G 1/2
Net weight	kg \pm 8%	1.3
Width from the base to the handle (X)	mm	205
Width from the base to the faucet (Y)	mm	100
Height (Z)	mm	360
Complete set		cable with europlug





”

Silent air heating
in your home



ELECTRIC CONVECTORS

Heating equipment with heating due to natural air circulation.

Advantages

X-PROF aluminum heating element

Monolithic X-shaped heating element with a heating thread located in a housing with an increased number of fins. Heating element with strong and durable design reduces heat loss during heating. Non-linear heat distribution with silent work increases heating efficiency and heat transfer of the heating element.

Multilevel security system

IP24 — protection against splashes of water and mechanical pollutants with a diameter more than 12 mm. Switch off after rollover and overheating protection.

MonoBlock design

Hidden output of convection windows.

Eco

Environmentally friendly — do not dry the air.
Economical due to high efficiency — from 80%.



ELECTRIC CONVECTOR SERIES

FRAME E

Electric convector series with LED-display, remote control, multi-level safety system (including child proofing) and different installation options.



2 power modes
temperature adjustment



Hidden output of convection windows



Multi-level safety system



On/Off timer up to 24 hours /week days (with Wi-Fi)



LED-display



Floor mount (rollers included)



Wall mount (bracket included)



Child protection



3 years warranty



Remote control features

**Aluminum heating element X-Prof.**

Monolithic X-shaped heating element with a heating thread located in a housing with an increased number of fins.

MonoBlock design.

Hidden output of convection windows.

Safety.

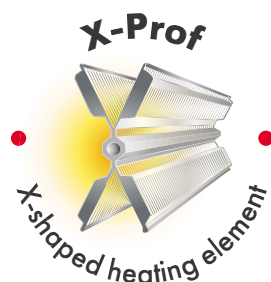
Switch off after rollover and overheating protection. IP24 — protection against splashes of water and mechanical pollutants with a diameter more than 12mm.

Simple control.

A convenient temperature electronic adjustment from 16°C to 40°C with LED-display and 5°C to 40°C with Wi-Fi.

Design.

Modern stylish body in a classic white color.

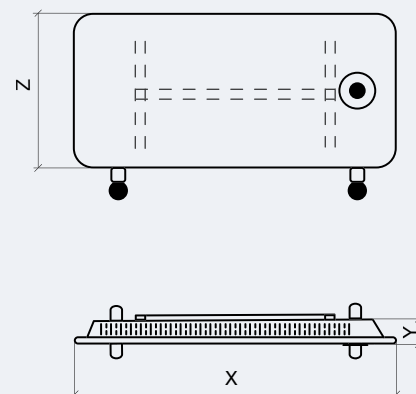


Remote control



LED-display

Models		Frame 1000 E	Frame 1500 E	Frame 2000 E	Frame 1000 E Wi-Fi	Frame 1500 E Wi-Fi	Frame 2000 E Wi-Fi
Wattage	kW	0.5 / 1.0	0.75 / 1.5	1.0 / 2.0	0.5 / 1.0	0.75 / 1.5	1.0 / 2.0
Rated voltage / Frequency	V / Hz	230 ~ / 50					
Heating element		aluminum					
Case material		steel					
LED-display		yes					
Control		electronic					
Remote control		yes			no		
Wi-Fi control		no			yes		
Temperature adjustment	°C	from 16 to 40					
Child proofing		yes					
Switch off after rollover		yes					
Overheating protection		yes					
IP rating		IP24					
Installation		wall / floor mounted (rollers)					
Timer		Off timer up to 24 hours			On/Off timer up to 24 hours / week days		
Heating area	m ²	5 — 15	10 — 20	15 — 25	5 — 15	10 — 20	15 — 25
Net weight	kg ± 8%	4.1	4.8	5.6	4.1	4.8	5.6
Width (X)	mm	600	760	920	600	760	920
Depth (Y)	mm	90					
Height (Z)	mm	380					
Complete set		remote control, wall mounted bracket, chassis for floor installation			wall mounted bracket, chassis for floor installation		



ELECTRIC CONVECTOR SERIES

FRAME M

Electric convector series with simple mechanical control, multi-level safety system and different installation options.



2 power modes temperature adjustment



Hidden output of convection windows



Multi-level safety system



Mechanical control



Floor mount (rollers included)



Wall mount (bracket included)



3 years warranty



Different installation options




Aluminum heating element X-Prof.

Monolithic X-shaped heating element with a heating thread located in a housing with an increased number of fins.

MonoBlock design.

Hidden output of convection windows.

Safety.

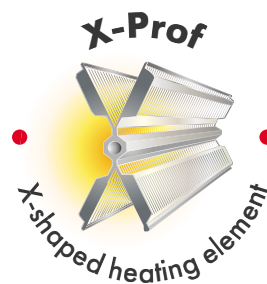
Switch off after rollover and overheating protection. IP24 — protection against splashes of water and mechanical pollutants with a diameter more than 12mm.

Simple control.

A convenient mechanical temperature adjustment knob helps to change the temperature in one motion.

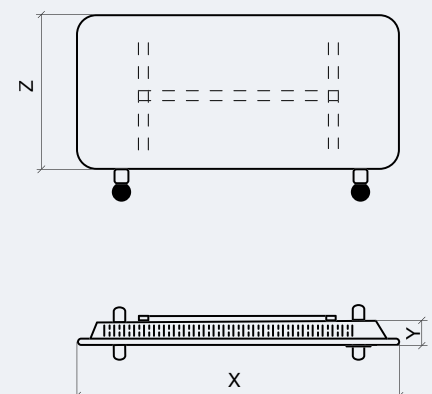
Design.

Modern stylish body in a classic white color.



Hidden control panel

Models		Frame 1000M	Frame 1500M	Frame 2000M
Wattage	kW	0.5 / 1.0	0.75 / 1.5	1.0 / 2.0
Rated voltage / Frequency	V / Hz		230 ~ / 50	
Heating element			aluminum	
Case material			steel	
Control			mechanic	
Temperature adjustment			mechanical thermostat	
Child proofing			no	
Switch off after rollover			yes	
Overheating protection			yes	
IP rating			IP24	
Installation		wall / floor mounted (rollers)		
Heating area	m ²	5 – 15	10 – 20	15 – 25
Net weight	kg ± 8%	4.1	4.8	5.6
Width (X)	mm	600	760	920
Depth (Y)	mm	90		
Height (Z)	mm	380		
Complete set		wall mounted bracket, chassis for floor installation		





”

Modern warmth
in your house



HEATING PANELS

Thermex ceramic heating panels with the optimal combination of efficiency and heating power with low electricity consumption can heat a big area. They have an original design and convenient controls, which makes their use comfortable and helps fit the panel into the overall interior of the room.

Advantages

Productivity

A panel with a power of 550W can heat rooms up to 12 square meters, which is comparable to the performance of standard convectors, consuming double energy size.

Environmentally friendly

Ceramic panels are distinguished by a modern heating method, preserve the natural humidity of the air and do not create an unpleasant smell of burnt dust.

Safety

Heating panels have a safe surface temperature, therefore they are highly fireproof and do not cause burns if accidentally touched. The second class of electrical protection does not require RCD and grounding.

Profitability

Due to optimum power and high energy efficiency, Thermex heating panels consume less electricity than a standard convector or oil cooler.



ELECTRIC HEATING PANEL SERIES

COLORME

The new ColorMe ceramic heating panel is an efficient, economical and modern heating equipment. The series has high overheat protection and safe surface temperature, therefore it is highly fireproof and do not cause burns if accidentally touched.



Natural convection and infrared heating



LCD electronic control



Ultra-slim (1 cm)



Silent operation



Overheat protection



Wall mounting



Feet for floor installation included



1 year warranty

”
The warm part
of your interior



**Can be painted.**

ColorMe can be painted and repainted with water-based paints and crayons, creating an individual panel design.

High security.

ColorMe has overheat protection. The second class of electrical protection does not require an RCD and grounding.

Comfort.

When heated, the surface temperature of the panel does not rise above 80 °C, so that it does not dry air, does not create a smell of burnt dust and does not burn when accidentally touched.

Energy efficiency.

ColorMe power is only 550 W, but it heats an impressive area of up to 12 square meters, which corresponds to the performance of conventional convectors with a power of 1000 watts.

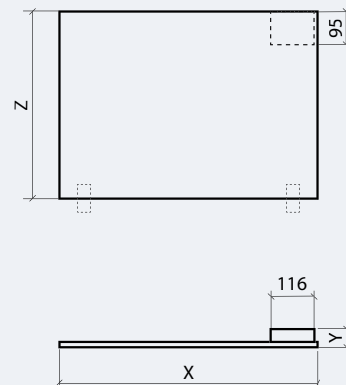
Simple operation.

Tuning is done using the electronic panel on the case.



Hidden control panel

Models		ColorMe 550E
Installation		floor / wall mounted
Heating area	m ²	5 — 12
Case material		ceramics
Control		electronic
Maximum surface temperature	°C	80
Wattage	kW	0.55
Rated voltage / Frequency	V/Hz	230 ~ / 50
Net weight	kg ± 8%	7.0
Width (X)	mm	800
Depth (Y)	mm	30
Height (Z)	mm	600
Complete set		feet for floor installation, mounting kit





Convenient
heating
and hotwater
supply solution



ELECTRIC WALL HUNG BOILERS

Electric double-circuit boilers with high quality and functionality has reliable components and completely solves the issues of heating and hot water supply.

Advantages

Quality

Is made of high quality components ensuring its reliability, durability and high efficiency. Modern security systems confirm a high service life with warranty.

A wide range

Models with different power range allow you to choose equipment for any task.

Easy control

The ability to automatically maintain the desired temperature using a room thermostat or an outdoor temperature sensor saves up to 15% of energy. The Winter-Summer mode is provided with standard work settings.

Durability

All components used in the product are top quality products in their field.

Simple maintenance

The design provides easy access to boiler parts and simplifies maintenance, and an intelligent self-diagnosis system will automatically detect a failure and display an error code on the boiler front panel.



ELECTRIC WALL HUNG BOILER SERIES

EUROSTAR — E9

The new star of electric double-circuit boilers with high quality and functionality has reliable components and informative LCD display. This series completely solves the issues of heating and hot water supply. Operation convenience is provided by a self-diagnosis system.



Double circuit system



Flat shape models from 23.5 cm



High efficiency 99.5%



Instant hot water supply



LCD display



Self-diagnosis and error indication



Anti-blocking protection



Anti-freeze protection



2 years warranty



”

Practical
hot water
supplier

**Quality.**

Eurostar is made of high quality components ensuring its reliability, durability and high efficiency. Modern security systems confirm a high service life with a full 2 years warranty.

A wide range.

Models with power from 6 to 24 kW allow you to choose equipment for any task.

Easy control.

The ability to automatically maintain the desired temperature using a room thermostat or an outdoor temperature sensor saves up to 15% of energy. The Winter-Summer mode is provided with standard work settings.

Durability.

All components used in the product are top quality products in their field.

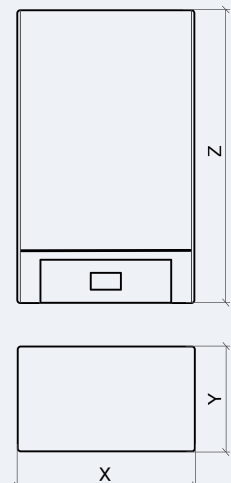
Simple maintenance.

The design provides easy access to boiler parts and simplifies maintenance, and an intelligent self-diagnosis system will automatically detect a failure and display an error code on the boiler front panel.



Black mirror surface of front panel

Models EUROSTAR		E906	E908	E909	E912	E915	E918	E921	E924
Rated power	kW	6	8	9	12	15	18	21	24
Efficiency	%	99.5							
Max heating temperature	°C	80							
Max pump pressure	kPa	50							
Expansion tank volume	l	10							
Expansion tank pressure	kPa	80							
Max heating pressure	kPa	300							
Recommended heating pressure	kPa	100 — 170							
IP rating		IP40							
Heating pipe connector		G3/4							
Filling water valve connector		G 1/2							
Heating element quantity	pcs	3	3	6	6	6	9	6 + 3	9
Heating element power	kW	2	2.65	1.5	2	2.5	2	2.5 + 2	2.65
Rated voltage / Frequency	V/Hz	220/380 ~ / 50				380 ~ / 50			
Net weight	kg ± 8%	25.3	25.3	25.5	25.5	25.5	25.8	25.8	25.8
Width (X)	mm	440							
Depth (Y)	mm	235							
Height (Z)	mm	740							





Simplicity
and reliability



INSTANTANEOUS GAS WATER HEATERS

Instantaneous gas water heaters — a convenient and economical way for hot water supply. Compact gas water heaters are characterized by high power, performance and ease of maintenance.

Advantages

Compactness

Instantaneous gas water heaters have small depth so conveniently place even in small kitchens or bathrooms.

Reliability

A high-quality reinforced oxygen-free copper heat exchanger is characterized by the highest durability and energy efficiency.

Productivity

Heat up from 10 liters of water per minute.

Profitability

The use of gas as an inexpensive source of energy makes instantaneous gas water heaters the most economical and convenient supplier of hot water.

Adaptability

Supported work with both natural and liquefied gas — if the nozzles are replaced.

GAS INSTANTANEOUS WATER HEATER SERIES

EUROLINE

Gas instantaneous water heaters with a sealed chamber, modern design and an intuitive control via LCD display providing opportunity of the water temperature regulation.



ErP class A



Flat shape models



Fast heating



LCD display



Child protection



No Frost mode



Low NOx emissions



Self-diagnosis and error indication



2 years warranty





Stylish control panel

Micro-computer intelligent control system.

The core component of the gas water heater is micro-computer intelligent control system, which is one of today's most advanced mechatronic technology. The CPU chipset can analyze automatically and set the optimal working parameter rapidly according to different data such as the flowing water quantity, the pressure situation and the actual inlet water temperature.

Digital control for automatic constant temperature of outlet water.

This function monitor the outlet water temperature by a temperature sensor and transfer the information to the micro-computer, so that the micro-computer could adjust the gas and air supply quantity to guarantee the constant outlet water temperature according to the temperature set by the user and the actual inlet water temperature automatically.

Low start-up water pressure.

The minimum water pressure of this product could reach 0.2 MPa, so it could also be used in the residence area with low water pressure.

AI artificial intelligent memory function.

The gas instantaneous water heater could work with the temperature that you set last time when you restart it, so that you do not need to set the temperature again.

Effective and energy-saving.

This product has advanced technologies called Strengthened Combustion and Forced Combustion. These patents aim to make the best use of heat energy with high working efficiency.

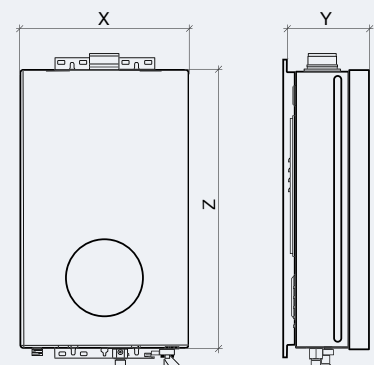
Set temperature by touch.

You could set the required temperature easily by touching LCD display. The setting temperature is from 35°C to 65°C, which can meet different water temperature requirements with easy operation.

Multiple safety protection.

This product has safety protections includes self-check protection, flame-out protection, over-heat protection, accidental power-cut protection, fan breakdown protection, over electric load protection, electric leakage protection, over wind pressure protection, over temperature protection, timing protection etc.

Models EUROLINE		JSG20-10ST27	JSG22-11ST27	JSG24-12ST27	JSG28-14ST27	JSG30-16ST27	JSG31-17ST27
Gas type		2H-G20-20mbar or 3B/P-G30-29mbar or 3P-G31-37mbar					
Nominal heat input	kW	20	22	24	28	30	31
Max power output	kW	17.7	19.4	21.4	25.4	27.8	27.8
Hot water capacity $\Delta T=25^{\circ}\text{C}$	l/min	10	11	12	14	16	17
NOx	mg/kWh	39	45	47	29	47	46
Max water pressure	bar	10					
Min water pressure	bar	0.2					
Rated voltage/Frequency	V/Hz	230 ~ / 50					
Electric power	W	26	29	33	38	44	40
IP rating		IPX4					
Ignition method		water control automatic pulses ignition					
Pipe connection		G 1/2					
Flue duct diameter	mm	$\varnothing 100$ (external), $\varnothing 60$ (internal)					
ERP	load profile	M				XL	
ERP	class	A	A	A	A	A	A
Net weight	kg $\pm 8\%$	15.4				18.6	
Width (X)	mm	345					
Depth (Y)	mm	150				170	
Height (Z)	mm	570					





”

The warmth
and comfort
of your home



GAS BOILERS

Thermex double-circuit gas boilers simultaneously solve the problems of autonomous heating and hot water supply in an apartment, private house, country house or in an enterprise. Using a gas boiler, you can heat up to 320 square meters and ensure uninterrupted supply of hot water without auxiliary devices.

Advantages

Profitability

A gas boiler uses natural gas or liquefied gas (after replacing nozzles), which is more economical than solid fuel or electric boilers.

Quality

Each Thermex boiler is designed for long-term intensive use, therefore all components are of high quality, reliability and have a full 2 year warranty.

Compactness

Thermex gas boilers are small size, so you can place them in any room.

Safety

Thermex gas boilers are completely safe. If there is any deviation from normal operation, the gas supply stops.

High productivity

Due to the increased volume of the expansion tank, Thermex boilers can service high-capacity heating systems.

Technological effectiveness

Thermex gas boilers meet all the requirements of modern technologies, they are reliable and intelligent thanks to convenient control via the Open Therm protocol.



GAS WALL HUNG CONVENTIONAL COMBI BOILER SERIES

XANTUS (PRO)

Advanced features

- High efficiency up to 92 %
- All components used in the product are top quality products in their field and supplied from European suppliers
- With 2 different capacity of 24kW and 28kW, possibility of using various areas and places
- 2 star combustion performs according to 92/42 EEC and high efficiency up to 92%
- Hermetic type
- High modulating range with combined gas valve with wide modulating range
- Strong circulation pump with 3 speeds
- Aesthetic outlook with modern design
- Stainless steel burner
- High DHW volume with stainless steel plate heat exchanger for hot water production (for DHW)
- Electronic ignition system and microprocessor main board
- Quite operating feature
- Providing easy in assembly and service application with compact dimensions
- Easy to use with specially designed control panel with ergonomic digital display
- Possibility to connect room thermostats
- Smart fault diagnostics, fault correction and warning system
- Double heat exchanger system; copper main heat exchanger + stainless steel heat exchanger for domestic hot water
- Low combustion and emission with large modulating system by electronic card
- Has got protection system with 13 superior safety system

Advance safety systems

- Ignition and flame safety
- Air safety system (with APS)
- Automatic air discharge purger
- Low voltage protection
- Frost protection
- Pump anti-blocking protection
- 3-way valve anti-blocking protection
- 3-bar safety valver
- Low water pressure switch
- Hot water temperature sensor
- Overheating safety system for heating
- Domestic hot water (DHW) flow sensor
- Expansion vessel



- High efficiency
- Fault diagnostics
- Easy installation
- Digital display
- Quiet operation
- Compact dimensions
- Anti-freezing



Advantages

Excellent heat transfer with copper heat exchanger (CH):

High efficiency durable, heat resisted, copper heat exchanger for central heating system.

Stainless steel heat exchanger for DHW.

Provides high flow ratio with own plate design.

Stainless steel burner.

Stainless steel burner has high combustion efficiency and low gas emissions.

Sanitary water (DHW) heat exchanger.

Stainless steel plate heat exchanger and brass hydraulic block are used to produce the hot water demands.

High efficiency.

Provides 92% efficiency, low emission and low noise levels with perfect harmony of Polidoro burner and Valmex heat exchanger.

User friendly digital control panel.

Ensures the user to see many operating parameters through digital display, easy to use.

Expansion vessel.

Compensates the expansion of the hot water circulated in the central heating circuit. All capacities use the same, 8 liter, closed expansion vessel.

Compact dimension.

It fits even in narrow area with its compact, W: 399mm, D: 335mm, H: 710mm

Digital display.

Shows many parameters and user can follow and see many details over the display.

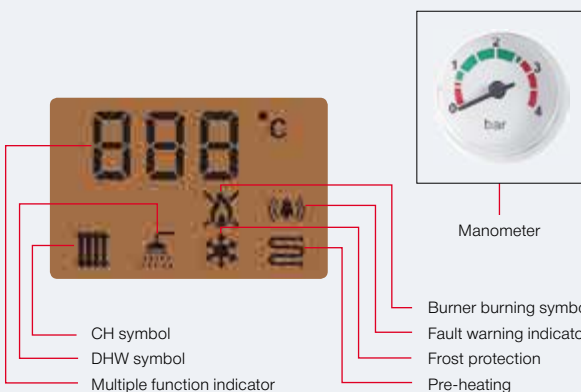
Control board



Digital display

Heating water temperature adjustment

Domestic water temperature adjustment



CH symbol

DHW symbol

Multiple function indicator

Burner burning symbol

Fault warning indicator

Frost protection

Pre-heating

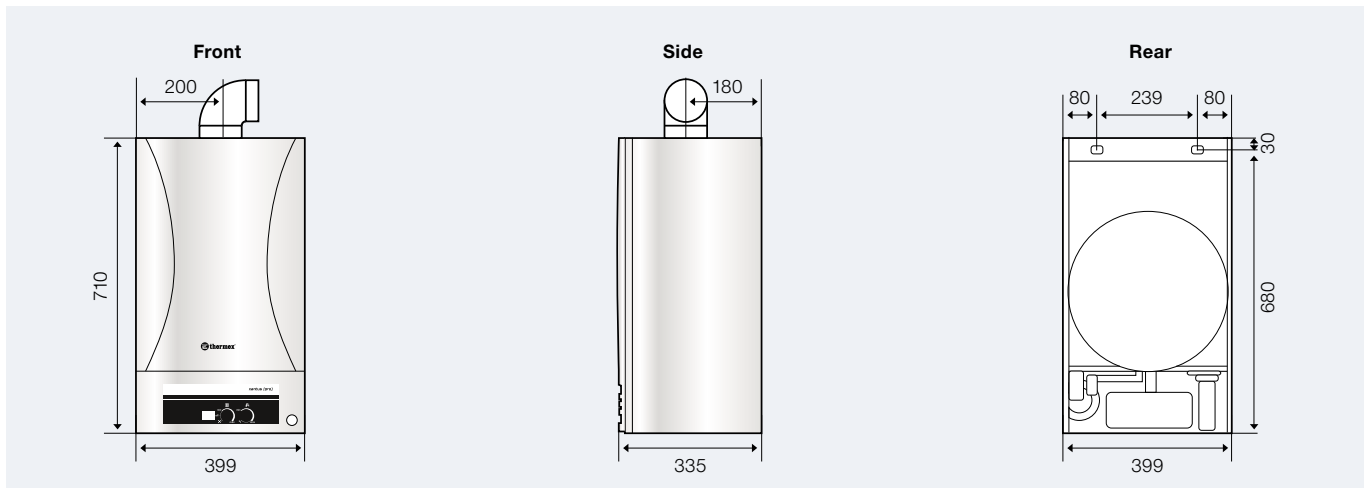
Manometer



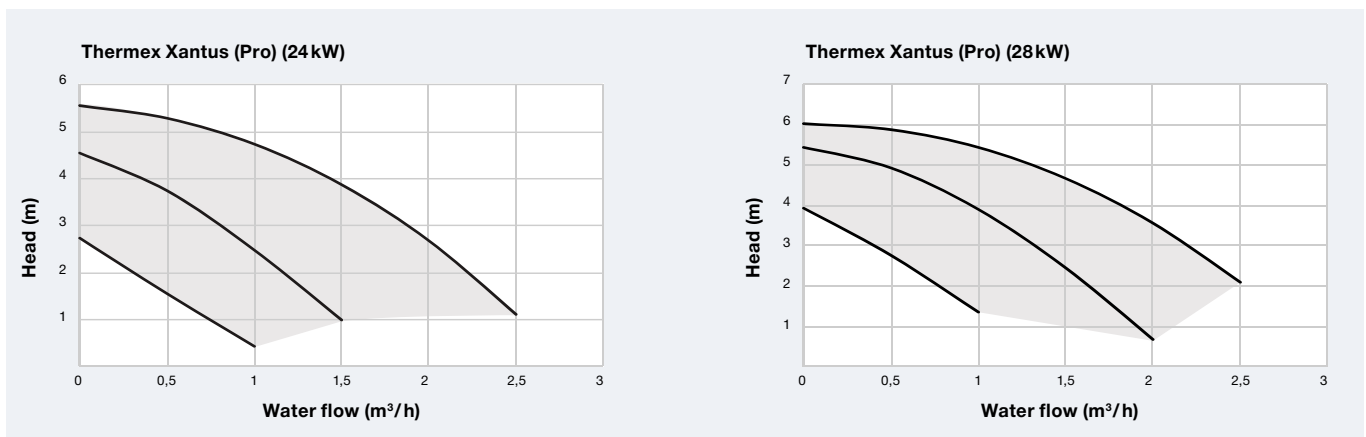
User friendly control panels

Thermex Xantus (Pro) boilers are equipped with easy to use control panel. The control panel has a 1.3" digital display where many data of the boiler can be monitored. With the 2 knobs located on the control panel, sanitary hot water and central heating temperature adjustment as well as service parameter adjustments are possible. Further a manometer on the control panel provides monitoring of central heating circuit water pressure.

Dimensions



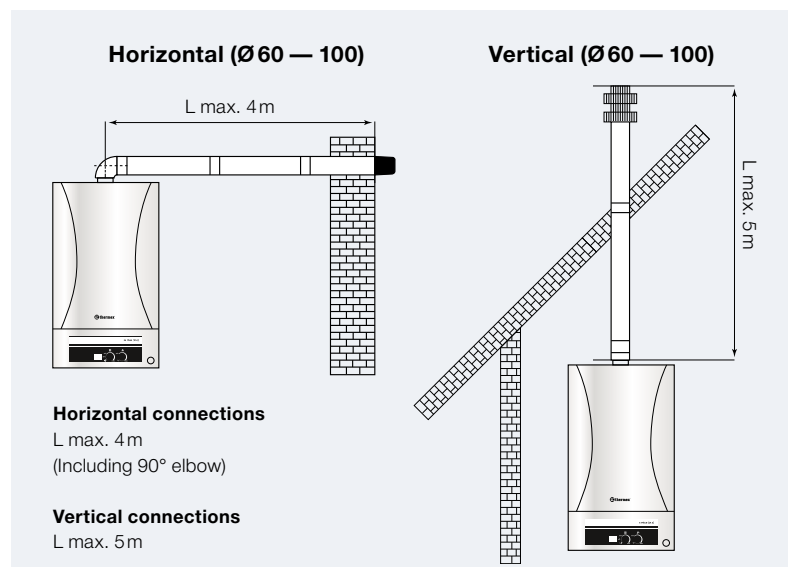
Working diagram of pump



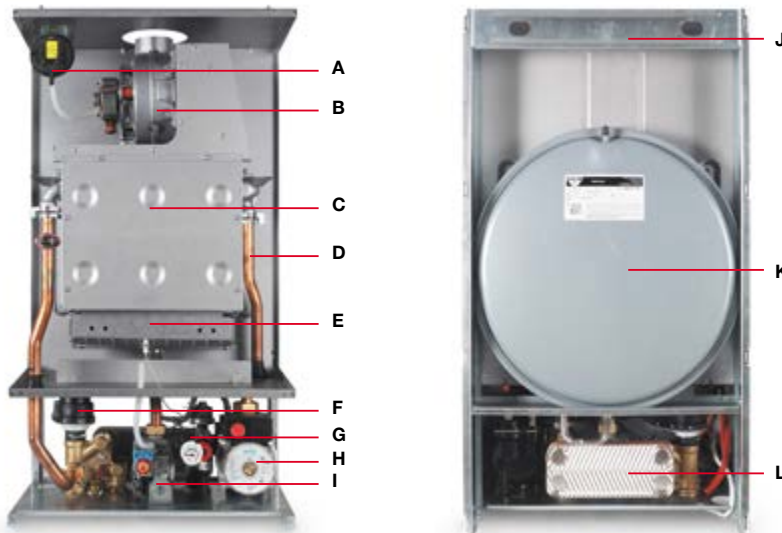
Connections of boiler



Chimney solutions



High quality product components



- A** Air pressure switch (APS)
- B** Fan
- C** Copper heat exchanger (CH)
- D** Copper pipes
- E** Stainless steel burner
- F** 3 way valve
- G** Manometer
- H** Circulation pump
- I** Gas valve
- J** Installation bracket
- K** Expansion vessel
- L** Stainless steel heat exchanger (DHW)

Technical specifications

Co	Unit	Thermex Xantus (Pro) HM 24	Thermex Xantus (Pro) HM 28
Gas type		G20	
Gas inlet pressure (for G20)	mbar	20	
Type		C 12, C 32, B 22	
Category		I2H (G20=20mbar)	
Central heating system			
Maximum efficiency (partial load)	%	91.2	91.1
Central heating nominal power (max) (80 — 60°C)	kW	23.7	27.5
Central heating nominal power (80 — 60°C)	kW	9.3	11.4
Central heating temperature adjustment	°C	30 — 80	
Central heating circuit maximum pressure	bar	3	
Central heating circuit minimum pressure	bar	0.5	
NOx class		3	
Gas consumption — at maximum power	m ³ /h	2.75	3.20
Gas consumption — at minimum power	m ³ /h	1.14	1.39
Expansion vessel capacity	Liter	8	
Expansion vessel pre-charged pressure	bar	1	
Domestic hot water (DHW) system			
DHW heating power, max	kW	23.1	27.2
DHW heating power, min	kW	9.3	11.4
DHW volume (ΔT = 30°C, max)	l/min	11.0	13.0
DHW volume (ΔT = 25°C, max)	l/min	13.2	15.6
DHW temperature adjustment	°C	37 — 60	
Maximum operating pressure	bar	9.0	
Minimum operating pressure	bar	0.3	
Electrical specifications			
Power supply voltage	VAC	230	
Power supply frequency	Hz	50	
Power consumption	W	140	
Electric system protection grade	—	IPX4D	
Connections to installation			
Gas connection	inch	3/4	
Central heating circuit flow/return	inch	3/4	
DHW inlet/outlet	inch	1/2	
General specifications			
Flue diameter — Ø	mm	60/100	
Dimensions (height x width x depth), without package	mm	710 x 399 x 335	
Dimensions (height x width x depth), with package	mm	760 x 430 x 392	
Weight (without package)	kg	32.1	33.5
Weight (with package)	kg	33.6	35.0

GAS WALL HUNG CONVENTIONAL COMBI BOILER SERIES

ANTARES

General common features

- High efficiency up to 91,2%
- With 2 different capacity of 24 kW and 28 kW, possibility of using various areas and places
- Hermetic type
- All components used in the product are top quality products in their field and supplied from European suppliers
- 2 star combustion performs according to 92 / 42 EEC and high efficiency up to 91,2%
- Strong circulation pump with 3 speeds
- Stainless steel burner
- High modulating range with combined gas valve with wide modulating range
- Aesthetic outlook with modern design
- High DHW volume with stainless steel plate heat exchanger for hot water production (for DHW)
- Electronic ignition system and microprocessor main board
- Quite operating feature
- Providing easy in assembly and service application with compact dimensions
- Smart fault diagnostics, fault correction and warning system
- Easy to use with specially designed control panel with ergonomic digital display
- Possibility to connect room thermostats
- Double heat exchanger system; copper main heat exchanger + stainless steel heat exchanger for domestic hot water
- Low combustion and emission with large modulating system by electronic card
- Has got protection system with 13 superior safety system

Advance safety systems

- Ignition and flame safety
- Air safety system (with APS)
- Automatic air discharge purger
- Low voltage protection
- Frost protection
- Pump anti-blocking protection
- 3-way valve anti-blocking protection
- 3-bar safety valver
- Low water pressure switch
- Hot water temperature sensor
- Overheating safety system for heating
- Domestic hot water (DHW) flow sensor
- Expansion vessel



Comfort
in your home



Advantages

Excellent heat transfer with copper heat exchanger (CH):

High efficiency durable, heat resisted, copper heat exchanger for central heating system.

Stainless steel heat exchanger for DHW:

Provides high flow ratio with own plate design.

Stainless steel burner:

Stainless steel burner has high combustion efficiency and low gas emissions.

Sanitary water (DHW) heat exchanger:

Stainless steel plate heat exchanger and brass hydraulic block are used to produce the hot water demands.

High efficiency:

Provides 91,2% efficiency, low emission and low noise levels with perfect harmony of Polidoro burner and Valmex heat exchanger.

User friendly digital control panel:

Ensures the user to see many operating parameters through digital display, easy to use.

Expansion vessel:

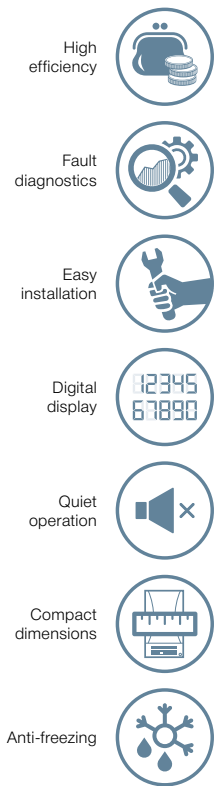
Compensates the expansion of the hot water circulated in the central heating circuit. All capacities use the same, 8 liter, closed expansion vessel.

Compact dimension:

It fits even in narrow area with its compact, W: 399mm, D: 335mm, H: 710mm

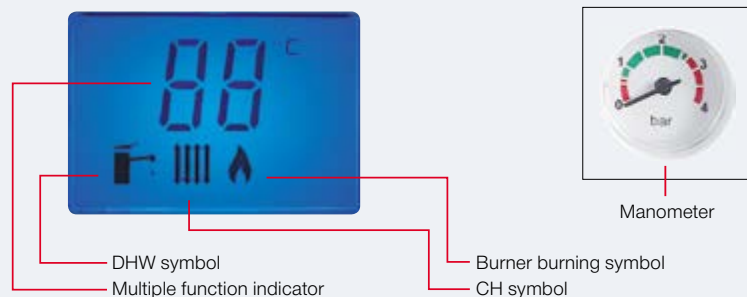
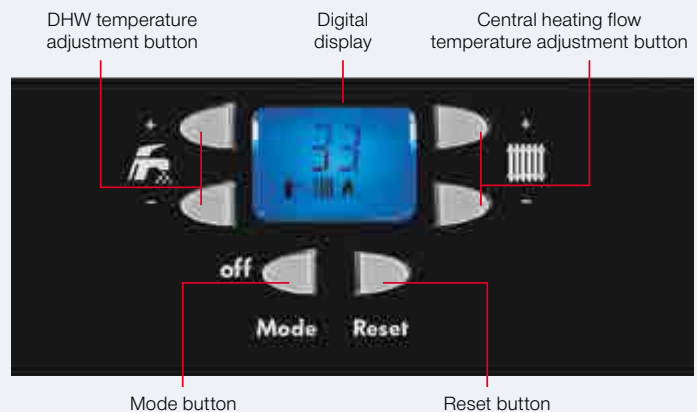
Digital display:

Shows many parameters and user can follow and see many details over the display.

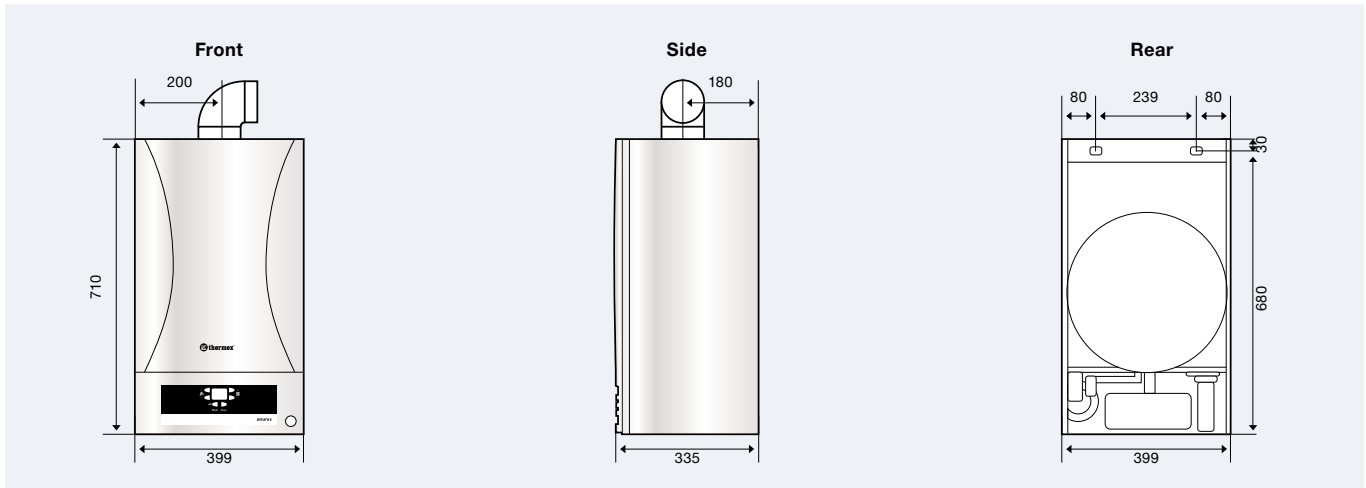


User friendly control panels

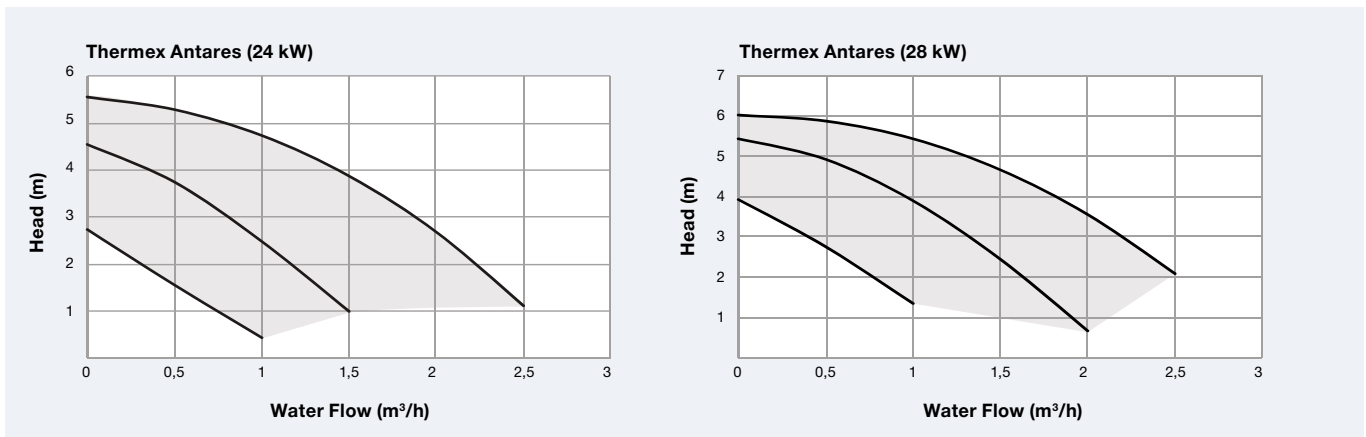
Thermex Antares boilers are equipped with easy to use control panel. The control panel has a 1,7" digital display where many data of the boiler can be monitored. With the 2 knobs located on the control panel, sanitary hot water and central heating temperature adjustment as well as service parameter adjustments are possible. Further a manometer on the control panel provides monitoring of central heating circuit water pressure.



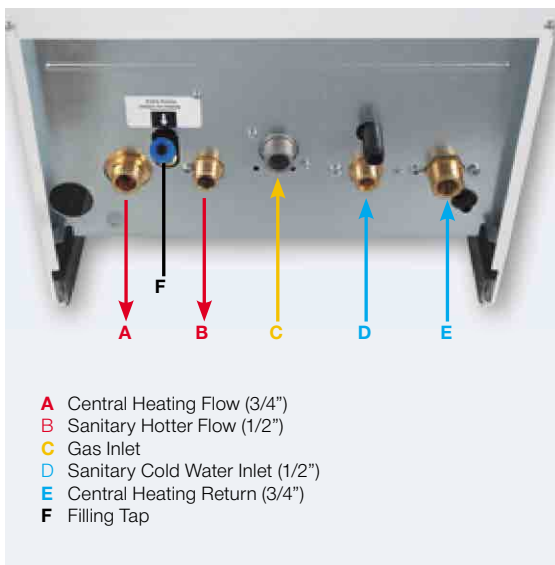
Dimensions



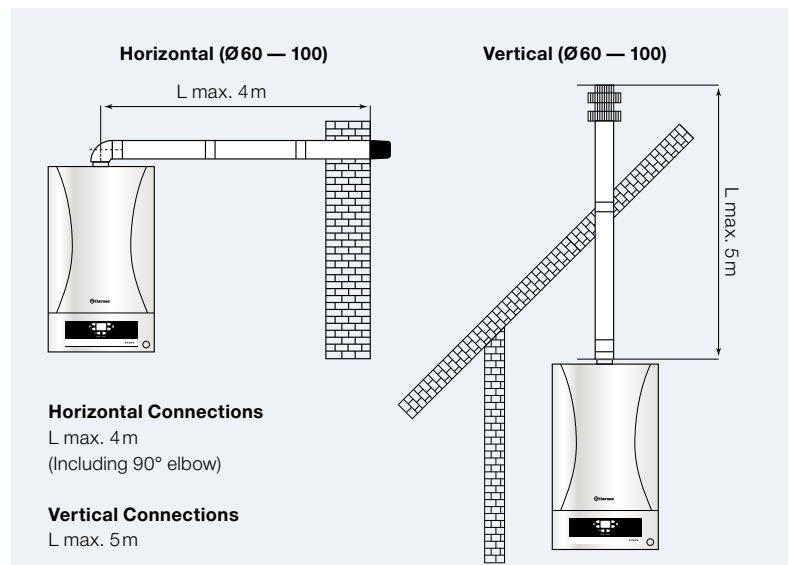
Working diagram of pump



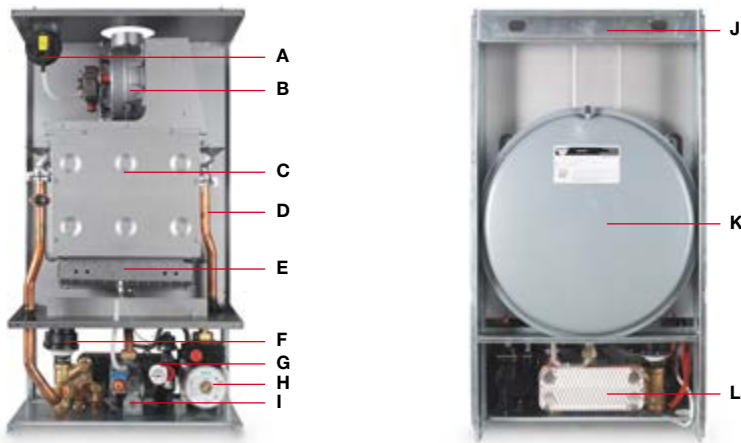
Connections of boiler



Chimney solutions



High quality product components



- A** Air pressure switch (APS)
- B** Fan
- C** Copper heat exchanger (CH)
- D** Copper pipes
- E** Stainless steel burner
- F** 3 way valve
- G** Manometer
- H** Circulation pump
- I** Gas valve
- J** Installation bracket
- K** Expansion vessel
- L** Stainless steel heat exchanger (DHW)

Technical specifications

Condensing boiler models	Unit	Thermex Antares HM 24	Thermex Antares HM 28
Gas type		G20	
Gas inlet pressure (for G20)	mbar	20	
Type		C12, C32, B22	
Category		I2H (G20=20 mbar)	
Central heating system			
Maximum efficiency (partial load)	%	91.2	91.1
Central heating nominal power (max) (80 — 60°C)	kW	23.7	27.8
Central heating nominal power (80 — 60°C)	kW	9.3	11.4
Central heating temperature adjustment	°C	35 — 80	
Central heating circuit maximum pressure	bar	3	
Central heating circuit minimum pressure	bar	0.5	
NOx class		3	
Gas consumption — at maximum power	m ³ /h	2.75	3.20
Gas consumption — at minimum power	m ³ /h	1.14	1.39
Expansion vessel capacity	liter	8	
Expansion vessel pre-charged pressure	bar	1	
Domestic hot water (DHW) system			
DHW heating power, max	kW	23.1	27.2
DHW heating power, min	kW	9.3	11.4
DHW volume (ΔT=30°C, max)	l/min	11.0	13.0
DHW volume (ΔT=25°C, max)	l/min	13.2	15.6
DHW temperature adjustment	°C	30 — 60	
Maximum operating pressure	bar	9	
Minimum operating pressure	bar	0.3	
Electrical specifications			
Power supply voltage	VAC	230	
Power supply frequency	Hz	50	
Power consumption	W	140	
Electric system protection grade	—	IPX4D	
Connections to installation			
Gas connection	inch	3/4	
Central heating circuit flow / return	inch	3/4	
DHW inlet / outlet	inch	1/2	
General specifications			
Flue diameter — Ø	mm	60/100	
Dimensions (height x width x depth), without package	mm	710 x 399 x 335	
Dimensions (height x width x depth), with package	mm	760 x 430 x 392	
Weight (without package)	kg	31.8	32.8
Weight (with package)	kg	34.0	35.0

GAS WALL HUNG CONDENSING BOILER SERIES

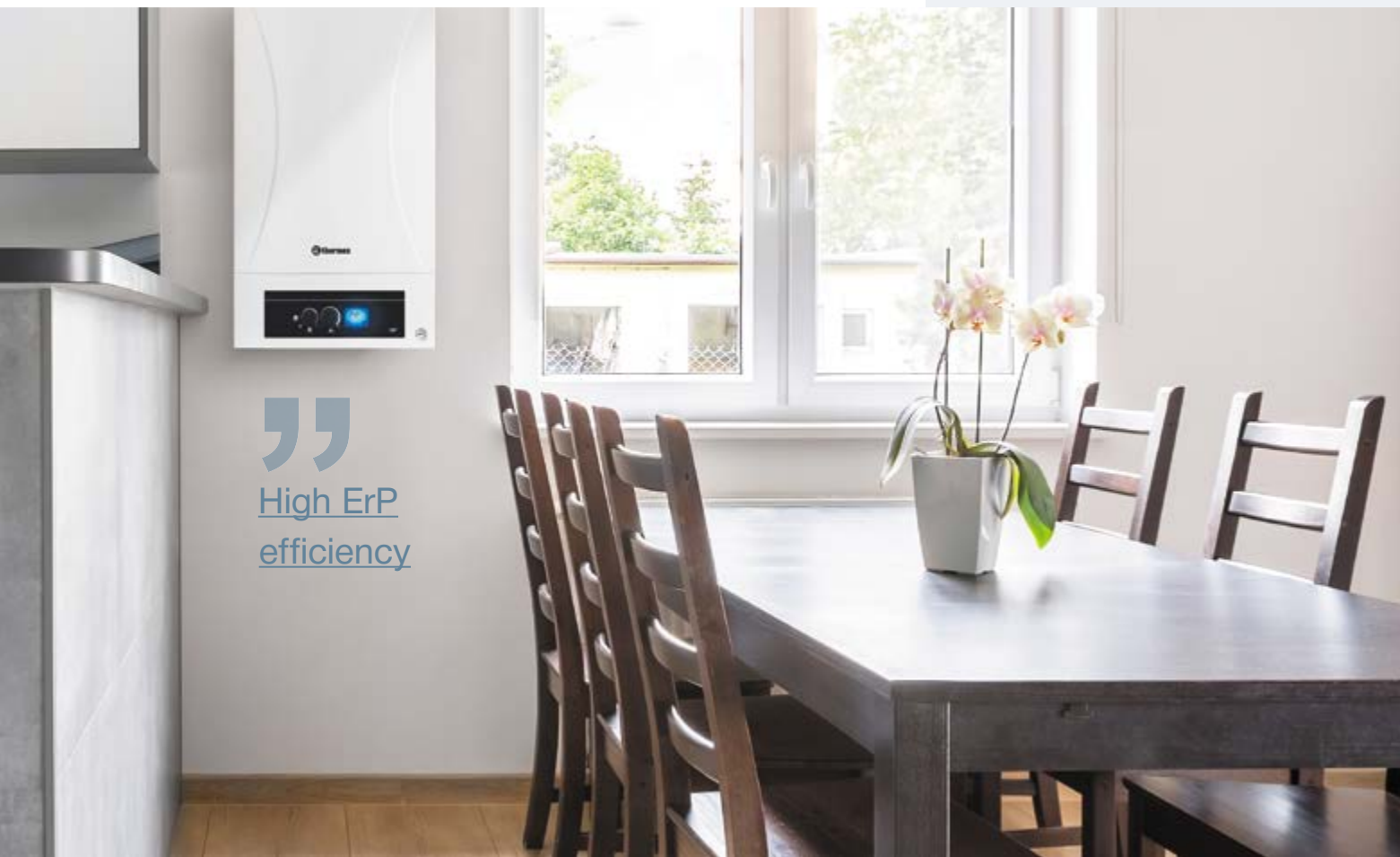
RIGEL ERP

General common features

- High efficiency with premix condensing technology
- With 3 different capacity of 24 kW, 27,99 kW and 35 kW, possibility of using various areas and place
- A class energy efficiency for installation and DHW production and XL DHW using profile in accordance with ErP Regulations
- All components used in the product are top quality products in their field and supplied from European suppliers
- Modulating range between 21 — 100% with combined gas valve with wide modulating range
- High efficiency with premix combustion assembly consisting of integrated air /gas mixer, modulating fan, stainless steel burner and stainless steel heat exchanger
- High DHW volume with stainless steel plate heat exchanger for hot water production
- Electronic ignition system and microprocessor main board
- Quite operating feature
- Easy to use with specially designed control panel and with ergonomic digital display and knobs
- Smart fault diagnostics, fault correction and warning system
- High safety standards with 14 different advanced safety system
- High combustion efficiency in accordance with EN 15502-1, 15502-2-1 directives
- Easy installation and space saving with compact dimensions
- Possibility to connect room thermostats

Advance safety systems

- Ignition and ionization electrode
- Flue/air safety system
- Automatic air purge
- Low/high voltage protection
- Antifreeze protection
- Pump anti-blocking protection
- 3-way valve anti-blocking protection
- 3-bar safety valve
- Low water pressure switch
- DHW temperature sensor
- Central heating circuit and DHW safety system
- DHW flow turbine safety system
- Filling tap
- Ignition and flame safety



”
[High ErP](#)
[efficiency](#)

- High efficiency
- Fault diagnostics
- Easy installation
- Digital display
- Quiet operation
- Compact dimensions
- Anti-freezing



Advantages

Stainless steel premix heat exchanger.

High efficiency and long-lasting. Made of stainless steel.

Premix burner.

Consists of integrated air/gas mixer, modulating fan, and stainless steel burner. Stainless steel burner has high combustion efficiency and low gas emissions, is eco-friendly.

Domestic hot water (DHW) exchanger.

Stainless steel plate heat exchanger and brass hydraulic block are used to meet the sanitary hotter demands.

High efficiency:

Provides seasonal central heating efficiency up to 93% (this corresponds, 108,1% seasonal heating efficiency according to the former standards).

User friendly digital control panel.

Ensures the user to see many operating parameters through LCD display, easy to use.

Modulating circulating pump.

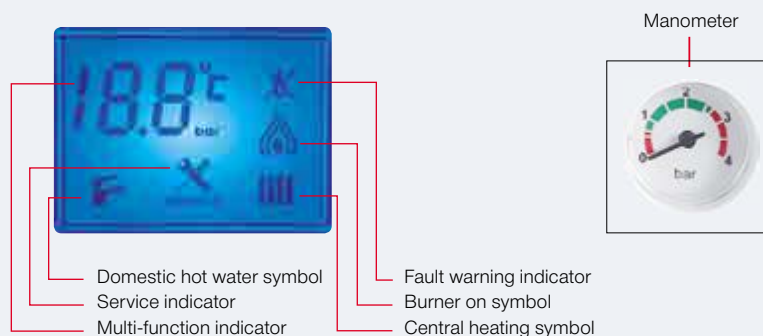
Conforms ErP regulations, high efficiency and low power consumption.

Closed expansion vessel.

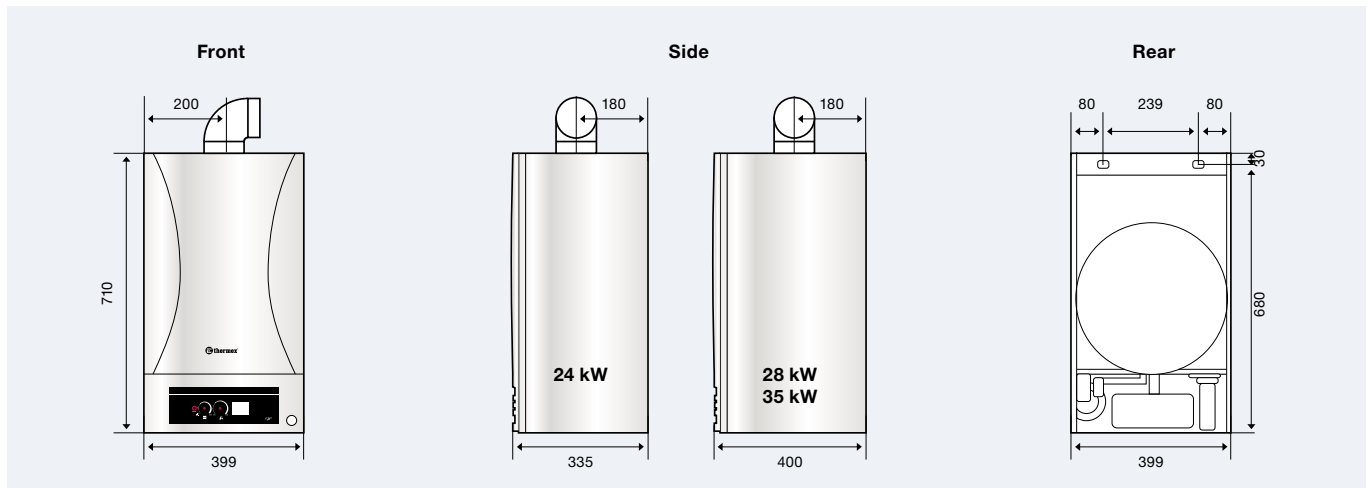
Compensates the expansion of the hot water circulated in the central heating circuit. All capacities use the same, 8 liter, closed expansion vessel.

User friendly control panels

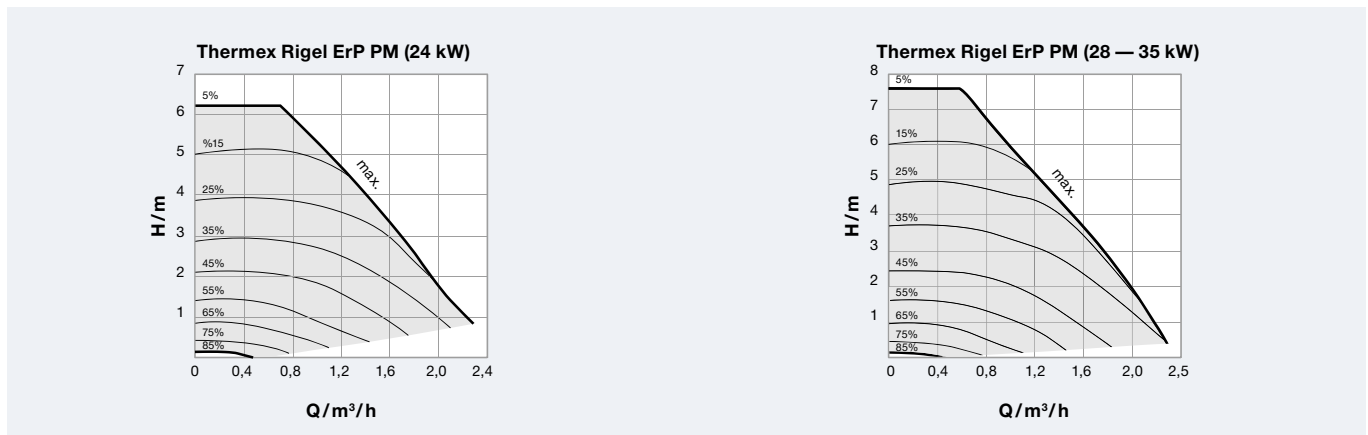
Thermex Premix Condensing boilers use a user friendly control panel. The Control Panel has a 2.1" wide digital display where many data of the boiler can be monitored. Through with knobs on the control panel you can easily set central heating temperature and domestic hot water temperature and modify service parameters as well. The manometer located on the control panel allows you to monitor the central heating system water pressure. Further through the reset button you may reset your boiler if required.



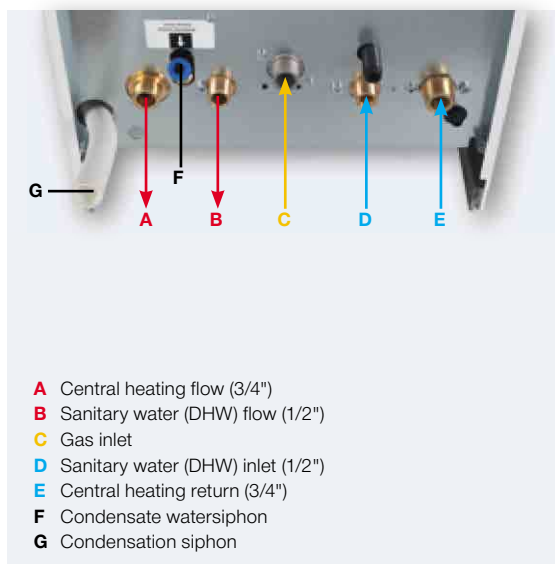
Dimensions



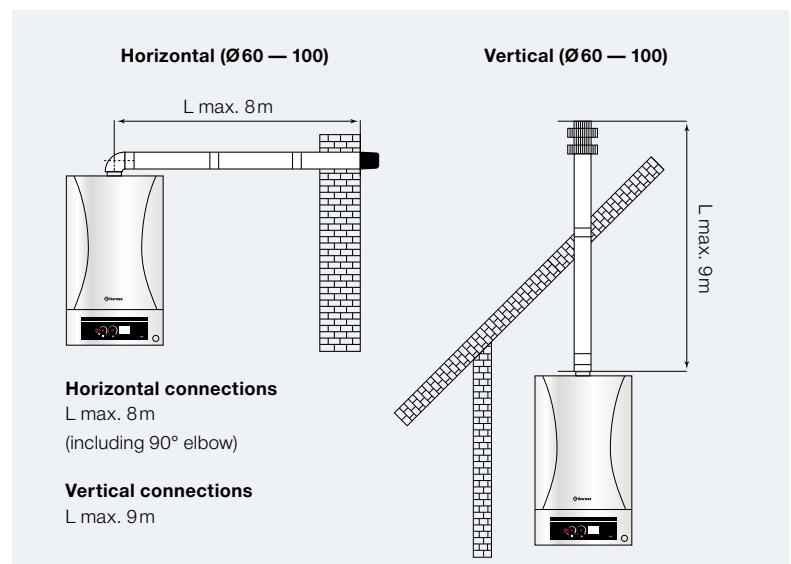
Working diagram of pump



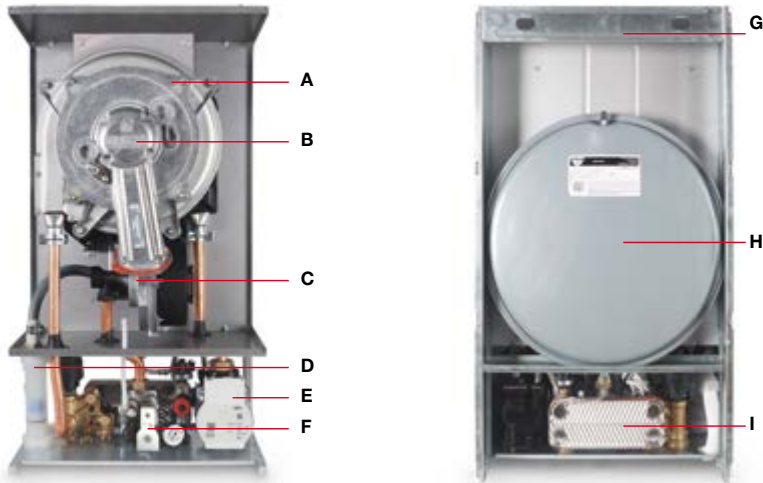
Connections of boiler



Chimney solutions



High quality product components



- A** Stainless steel premix heat exchanger
- B** Premix burner and manifold
- C** Modulating fan
- D** Condensate syphon assembly
- E** Modulating circulating pump (conforms ErP regulations)
- F** Gas valve
- G** Installation bracket
- H** Expansion vessel
- I** Domestic hot water (DHW) exchanger

Technical specifications

Condensing boiler models	Unit	Thermex Rigel ErP PM 24	Thermex Rigel ErP PM 28	Thermex Rigel ErP PM 35
Gas type		G20		
Gas inlet pressure (for G20)	mbar	20		
Type		C13, C33, C43, C52, C82, B23, B33		
Category		I2H (G20=20mbar)		
Central heating system				
Seasonal heating efficiency class (Erp)		A		
Seasonal heating efficiency (ns)	%	91.9	93.0	92.6
Maximum efficiency (partial load)	%	107.9	108.1	108.1
Central heating nominal power (50 — 30°C)	kW	24.0	28.0	35.0
Central heating minimum power (50 — 30°C)	kW	5.31	6.28	7.44
Central heating nominal power (80 — 60°C)	kW	21.8	25.4	31.4
Central heating minimum power (80 — 60°C)	kW	4.91	5.66	6.79
Maximum nominal input (Qi)	kW	22.5	26.1	32.6
Minimum nominal input (Qi)	kW	5.2	6.1	7.2
Central heating temperature adjustment	°C	20 — 80		
Central heating circuit maximum pressure	bar	3		
Central heating circuit minimum pressure	bar	0.8		
NOx class		6		
Gas consumption — at maximum power	m ³ /h	2.38	2.76	3.45
Gas consumption — at minimum power	m ³ /h	0.55	0.64	0.76
Expansion vessel capacity	liter	8		
Expansion vessel pre — charged pressure	bar	1		
Domestic hot water (DHW) system				
Seasonal DHW production efficiency		A		
DHW using profile		XL		
DHW efficiency	%	92.3	91.0	91.0
DHW heating power, max	kW	21.8	27.6	33.5
DHW heating power, min	kW	4.91	5.66	6.79
DHW volume (ΔT = 30°C, max)	l/min	10.4	13.2	16.0
DHW volume (ΔT = 25°C, max)	l/min	12.5	15.8	19.2
DHW temperature adjustment	°C	30 — 65		
Maximum operating pressure	bar	9		
Minimum operating pressure	bar	0.3		
Annual electric power consumption for DHW production	GJ	16.2	16.5	16.6
Electrical specifications				
Power supply voltage	VAC	230		
Power supply frequency	Hz	50		
Power consumption	W	43		50
Electric system protection grade	—	IPX4D		
Connections to installation				
Gas connection	inch	3/4		
Central heating circuit flow/return	inch	3/4		
DHW inlet/outlet	inch	1/2		
General specifications				
Sound power	dB(A)	51	52	
Flue diameter — Ø	mm	60/100		
Dimensions (height x width x depth), without package	mm	710 x 399 x 335	710 x 399 x 400	
Dimensions (height x width x depth), with package	mm	760 x 430 x 392	760 x 430 x 460	
Weight (without package)	kg	29.5	32.5	34.5
Weight (with package)	kg	31.7	34.7	36.7

GAS WALL HUNG CONDENSING BOILER SERIES

SIRIUS ERP

General common features

- High efficiency with premix condensing technology
- With 3 different capacity of 24kW, 27,99kW and 35kW, possibility of using various areas and place
- A class energy efficiency for installation and DHW production and XL DHW using profile in accordance with ErP Regulations
- All components used in the product are top quality products in their field and supplied from European suppliers
- Modulating range between 21 — 100% with combined gas valve with wide modulating range
- High efficiency with premix combustion assembly consisting of integrated air / gas mixer, modulating fan, stainless steel burner and stainless steel heat exchanger
- Eco-friendly with combustion efficiency and low gas emissions with stainless steel burner (Low NOx and CO emissions). NOx class 6
- High DHW volume with stainless steel plate heat exchanger for hot water production
- Electronic ignition system and microprocessor main board
- Quite operating feature
- Easy to use with specially designed control panel and with ergonomic digital display and knobs
- Smart fault diagnostics, fault correction and warning system
- High safety standards with 14 different advanced safety system
- High combustion efficiency in accordance with EN 15502-1, 15502-2-1 directives
- Easy installation and space saving with compact dimensions
- Possibility to connect room thermostats

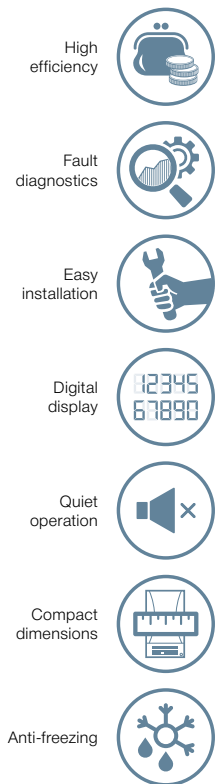
Advance safety systems

- Ignition and ionization electrode
- Flue/air safety system
- Automatic air purge
- Low/high voltage protection
- Antifreeze protection
- Pump anti-blocking protection
- 3-way valve anti-blocking protection
- 3-bar safety valve
- Low water pressure switch
- DHW temperature sensor
- Central heating circuit and DHW safety system
- DHW flow turbine safety system
- Filling tap
- Ignition and flame safety



Star in your
home





Advantages

Stainless steel premix heat exchanger.

High efficiency and long-lasting. Made of stainless steel.

Premix burner.

Consists of integrated air/gas mixer, modulating fan, and stainless steel burner. Stainless steel burner has high combustion efficiency and low gas emissions, is eco-friendly.

Domestic hot water (DHW) exchanger.

Stainless steel plate heat exchanger and brass hydraulic block are used to meet the sanitary hotter demands.

High efficiency.

Provides seasonal central heating efficiency up to 93% (this corresponds, 108.1% seasonal heating efficiency according to the former standards).

User friendly digital control panel.

Ensures the user to see many operating parameters through LCD display, easy to use.

Modulating circulating pump.

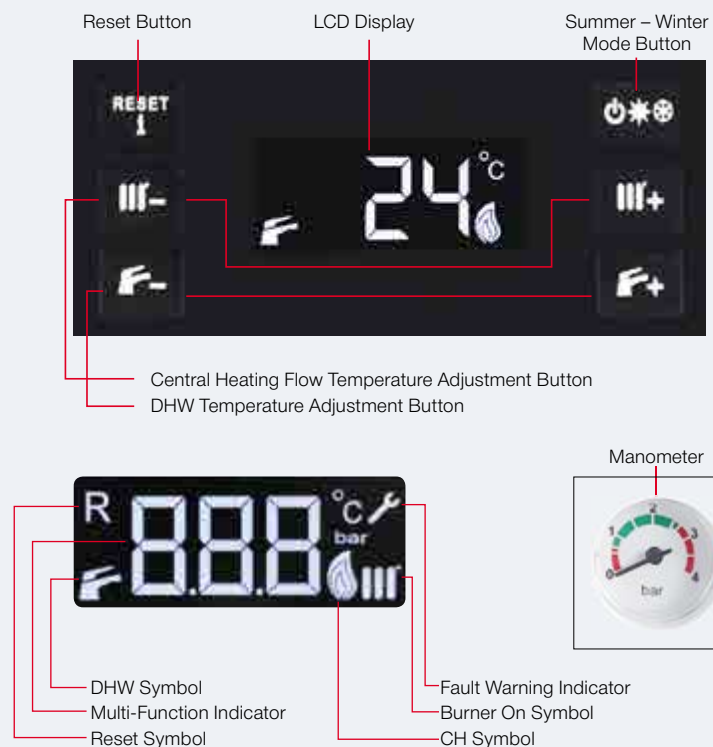
Conforms ErP regulations, high efficiency and low power consumption.

Closed expansion vessel.

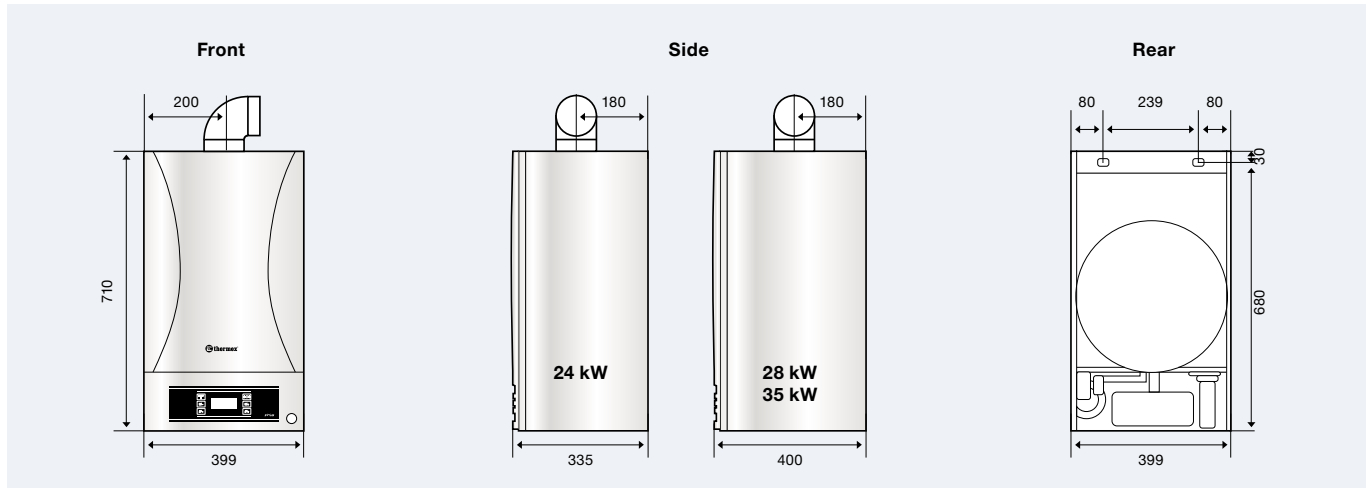
Compensates the expansion of the hot water circulated in the central heating circuit. All capacities use the same, 8 liter, closed expansion vessel.

User friendly control panels

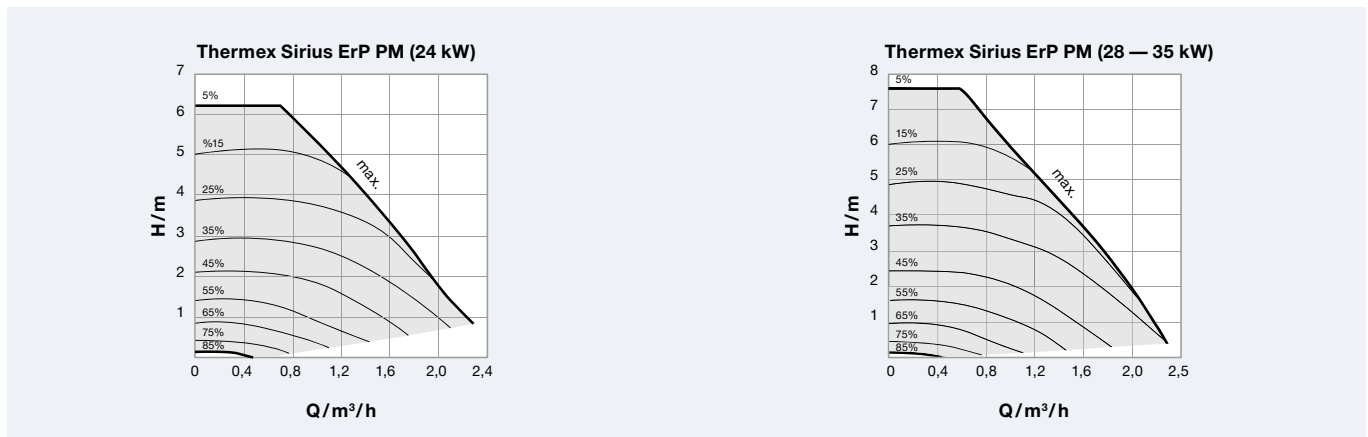
Thermex Premix Condensing Boilers are equipped with easy to use control panel. The control panel has a 2,6" LCD display where many data of the boiler can be monitored. Through the buttons located on the control panel, sanitary hotter and central heating temperature adjustment as well as service parameter adjustments are possible. Further a manometer on the control panel provides monitoring of central heating circuit water pressure.



Dimensions



Working diagram of pump

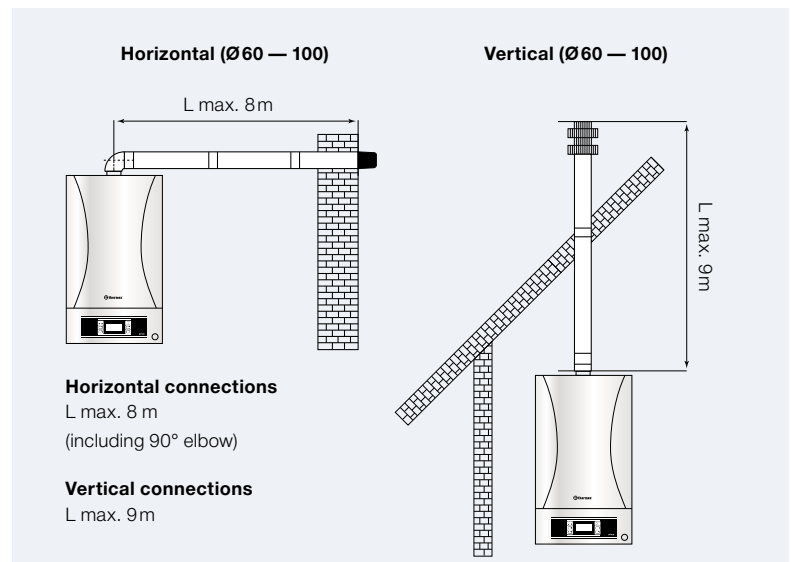


Connections of boiler

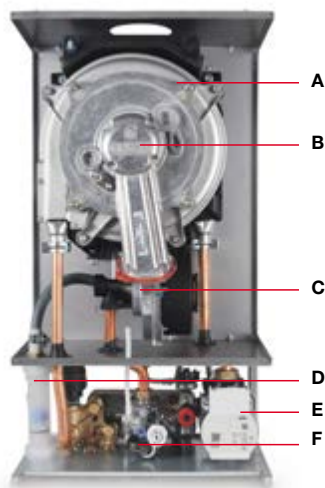


- A** Central heating flow (3/4")
- B** Sanitary water (DHW) flow (1/2")
- C** Gas inlet
- D** Sanitary water (DHW) inlet (1/2")
- E** Central heating return (3/4")
- F** Condensate watersiphon
- G** Condensation siphon

Chimney solutions



High quality product components



- A** Stainless steel premix heat exchanger
- B** Premix burner and manifold
- C** Modulating fan
- D** Condensate syphon assembly
- E** Modulating circulating pump (conforms ErP regulations)
- F** Gas valve
- G** Installation bracket
- H** Expansion vessel
- I** Domestic hot water (DHW) exchanger

Technical specifications

Condensing boiler models	Unit	Thermex Sirius ErP PM 24	Thermex Sirius ErP PM 28	Thermex Sirius ErP PM 35
Gas type		G20		
Gas inlet pressure (for G20)	mbar	20		
Type		C13, C33, C43, C52, C82, B23, B33		
Category		I2H (G20=20mbar)		
Central heating system				
Seasonal heating efficiency class (Erp)		A		
Seasonal heating efficiency (ns)	%	91.9	92.7	93.3
Maximum efficiency (partial load)	%	108.0	108.1	108.0
Central heating nominal power (50 — 30°C)	kW	24.00	27.99	35.00
Central heating minimum power (50 — 30°C)	kW	5.30	6.28	7.44
Central heating nominal power (80 — 60°C)	kW	21.50	25.10	31.20
Central heating minimum power (80 — 60°C)	kW	4.90	5.70	6.80
Maximum nominal input (Qi)	kW	22.6	25.9	32.3
Minimum nominal input (Qi)	kW	5.2	6.1	7.2
Central heating temperature adjustment	°C	30 — 80		
Central heating circuit maximum pressure	bar	3		
Central heating circuit minimum pressure	bar	0,8		
NOx class		6		
Gas consumption — at maximum power	m³/h	2.38	2.74	3.42
Gas consumption — at minimum power	m³/h	0.57	0.64	0.76
Expansion vessel capacity	liter	8		
Expansion vessel pre — charged pressure	bar	1		
Domestic hot water (DHW) system				
Seasonal DHW production efficiency		A		
DHW using profile		XL		
DHW efficiency	%	91.8	91.00	90.1
DHW heating power, max	kW	21.5	27.5	32.2
DHW heating power, min	kW	4.9	5.7	6.8
DHW volume (ΔT = 30°C, max)	l/min	10.3	13.2	15.4
DHW volume (ΔT = 25°C, max)	l/min	12.3	15.8	18.4
DHW temperature adjustment	°C	30 — 60		
Maximum operating pressure	bar	9		
Minimum operating pressure	bar	0.3		
Annual electric power consumption for DHW production	GJ	16.4	16.5	16.7
Electrical specifications				
Power supply voltage	VAC	230		
Power supply frequency	Hz	50		
Power consumption	W	43	43	50
Electric system protection grade	—	IPX4D		
Connections to installation				
Gas connection	inch	3/4		
Central heating circuit flow/return	inch	3/4		
DHW inlet/outlet	inch	1/2		
General specifications				
Sound power	dB(A)	51	52	
Flue diameter — Ø	mm	60/100		
Dimensions (height x width x depth), without package	mm	710 x 399 x 335	710 x 399 x 400	
Dimensions (height x width x depth), with package	mm	760 x 430 x 392	760 x 430 x 460	
Weight (without package)	kg	32,4	34.2	37.1
Weight (with package)	kg	35	38.5	40.0

REMOTE CONTROL

With smart room thermostat you may control the temperature of your house with mobile applications from wherever you are on the world.

For series: XANTUS (PRO), RIGEL, SIRIUS, ANTARES



Manual mode



House mode



Outside mode



Sleep mode



Program mode



Position mode



The smart location

The smart location feature of HT 400 and HT500SET smart thermostats you may decrease the temperature of your house when you leave or increase when coming your house.

Temperature of your house

Through mobile applications you may see in graphics the operating hours of your boiler, the temperature of your house and outside temperature and may get report towards the past.

Select the best heating mode

You may select the best heating mode to manage the temperature of your house via 6 different modes of your Remote Controlled Digital Smart Thermostat.

ROOM THERMOSTATS

Your room thermostats control the temperature in your living area effectively to provide a comfort living.

HT 120 digital room thermostat with cable



- Up to 30% savings in heating costs
- High comfort
- Digital lcd display
- Easy usage
- Sensitive temperature measuring
- On-off control
- Heating calibration
- With wire options
- Supplied with thermex brand

HT 150 digital room thermostat with cable



- Up to 30% savings in heating costs
- High comfort
- Large lcd display
- Battery indicator
- Easy usage
- Sensitive temperature measuring
- On-off control
- Heating calibration
- With wire options
- Supplied with thermex brand

HT 500 set remote controlled smart digital room thermostat



- Temperature adjustment via room thermostat
- Digital lcd display with backlight
- Touch buttons
- Outside temperature indicator
- Battery indicator
- Daily and weekly program
- Smart or normal wireless room thermostat
- 6 different modes options:
 - Manual mode*
 - House mode*
 - Outside mode*
 - Sleep mode*
 - Program mode*
 - Position mode*

HT 400 remote controlled smart digital room thermostat



- Control with mobile application
- Control your house temperature with location mode
- Past operating and heat data reports
- Daily and weekly program
- Weather forecast
- 6 different modes options:
 - Manual mode*
 - House mode*
 - Outside mode*
 - Sleep mode*
 - Program mode*
 - Position mode*

GAS WALL HUNG BOILER SERIES

EUROELITE — F

A modern gas double-circuit boiler that completely solves the issues of heating and hot water supply. The gas boiler was designed by engineers on the basis of a long study of consumer preferences and demanded characteristics, therefore, it received a wide model range with power from 18 to 32 kW and is able to heat large rooms with an area of up to 320 m².



Separate heat exchangers for heating and water supply



Operation with liquefied gas or natural gas



Instant hot water supply



Multistage security system



Self-diagnosis and error indication



2 years warranty





Quality.

EuroElite is made of high quality components ensuring its reliability, durability and high efficiency. Modern security systems confirm a high service life with a full 2 years warranty.

Durability.

Separate heating and hot water heat exchangers ensure trouble-free operation and easy maintenance.

A wide range.

Models with power from 18 to 32kW allow you to choose equipment for any task.

Easy control.

The ability to automatically maintain the desired temperature using a room thermostat or an outdoor temperature sensor saves up to 15% of energy. The Winter-Summer mode is provided with standard work settings.

Simple maintenance.

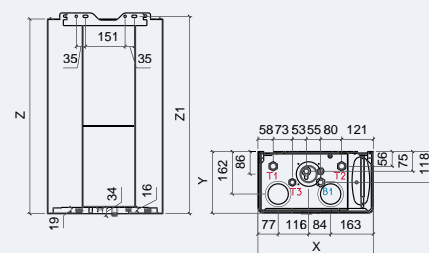
The design provides easy access to boiler parts and simplifies maintenance, and an intelligent self-diagnosis system will automatically detect a failure and display an error code on the boiler display.



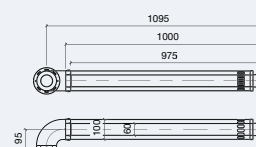
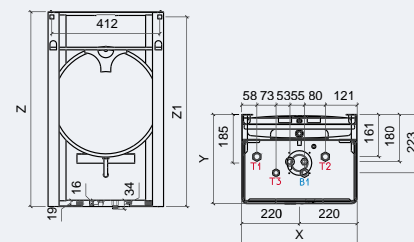
Coaxial chimney EuroElite

Models		EuroElite F18	EuroElite F24	EuroElite F28	EuroElite F32	Chimney EuroElite
Type of combustion chamber		closed				-
Heat exchanger type		2 separate				
Rated power	kW	7.2 — 18.0	8.0 — 24.0	9.0 — 28.0	9.0 — 32.0	
Expansion tank volume	l	6		8		
Heating system capacity at T=80°C	l	110				
Heating area	m ²	70 — 180	70 — 240	90 — 280	90 — 320	
Gas consumption	m ³	0.70 — 2.20	0.93 — 2.79	1.00 — 3.10	1.30 — 3.50	
Hot water flow at ΔT=30°C	L/min	8.6	11.3	13.3	15.3	
Temp range in hot water supply	°C	35 — 55				
Temp range in the heating circuit	°C	35 — 85				
Hot water supply pressure	bar	1.0 — 8.0		0.25 — 8.0		
Heating pressure	bar	0.8 — 3.0				
Rated voltage / Frequency	V/Hz	230 ~ / 50				
Electric power consumption	W	90	110	110	120	
Connecting size of heating (T1, T2)		G 3/4				
Connecting size of hot water supply (T3, B1)		G 1/2				
Connecting size of gas (G2)		G 1/2				
Net weight	kg ± 8%	29.3		32.7		1.5
Width (X)	mm	440		340		
Depth (Y)	mm	235				
Height (Z)	mm	742				
Complete set		mounting kit, mounting template				Mounting kit

EuroElite F18 – F24



EuroElite F28 – F32



HOW TO CHOOSE A STORAGE WATER HEATER

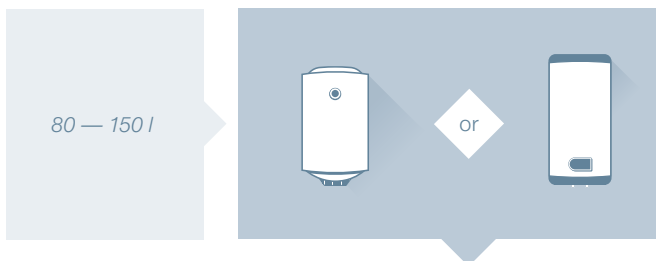
Choosing the right volume of storage water heater allows you to optimize waste and do not stay without hot water when it is necessary. A special selection table tells you which series you may choose.

Number of persons	1	1	2	3 — 4	4 — 5
Number of consumption points	1	2	3	4	
Electrical network power (weak / medium / high)	Weak / Medium	Weak / Medium	Weak / Medium	Weak / Medium	Weak / High
Recommended volume	10 — 30 l	30 — 50 l	50 — 80 l	80 — 150 l	150 — 300 l
Suitable series of water heaters	Compact water heaters	Compact water heaters	Standard water heaters	Standard water heaters	Large volume floor standing water heaters

Selection conditions



Selection result



Family of three

4 points of hot water consumption

Electrical network average power

Recommended volume of water heater

Solo, Fusion, Ultralim, Praktik, Eterna, Safedry Pro, Thermo, Champion, Champion Eco, Silverheat, Nova, Giro, Titaniumheat

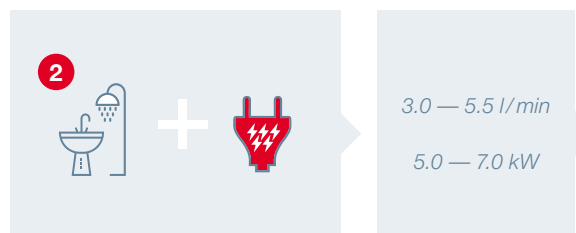
Flat Smart, Ceramic, IF Eco, Flat Plus Pro, Flat Eco, M-Smart, Mechanik

HOW TO CHOOSE A INSTANTANEOUS WATER HEATER

To choose instantaneous water heater that meets your needs, it is necessary to determine in advance where and how much hot water will be needed. Particular attention should be given to the electrical wiring, which should be suitable for the selected capacity. The selection table will help you make the right choice.

Points of consumption	1 	1 	2 	3-4
Use cases	To wash hands	To take a shower	To take a shower, wash your hands at two points of consumption	To take a bath, shower, wash your hands at three to four points of consumption
Electrical network power (medium / high)				
Required capacity	1.5 — 2.0 l/min	2.6 — 3.4 l/min	2.6 — 3.7 l/min	4.0 — 8.5 l/min
Required water heater power	3.5 kW	4.5 — 6.5 kW	4.5 — 6.0 kW	8.0 — 15.0 kW
Suitable series of water heaters	Hotty 3000 Surf 3500 City 3500	Surf 5000 — 6000 City 5500 — 6500 Trend 4500 — 6000	Balance 4500 — 6000 Topflow 6000 Trend 4500 — 6000	Topflow 8000 — 15000

Selection conditions



2 points of hot water consumption

High network average power

Recommended capacity and power of the water heater

Selection result



Topflow 6000

Balance 6000

Trend 6000

THERMEX SERVICE

Only the best service are suitable for the best quality water heaters.



More over 600 official service centers



Highly trained engineers and technicians



Excellent warranty and after-sales service



Always available original spare parts and accessories



Professional staff quickly reached by call



Only the best
service

Global Thermex's service policy is organized to offer highest level of service programs for all customers wherever they are. Worldwide network of authorized service partners have been designed to provide a quick and competent support in each region, Thermex has a point of presence.

Find the nearest authorized service center at

www.thermex.com



www.thermex.com



Thermex corporation
export@thermex.com

Pictures and technical data may have differences from actual devices on sale.

Thermex keep the right to change the specifications without notice.